



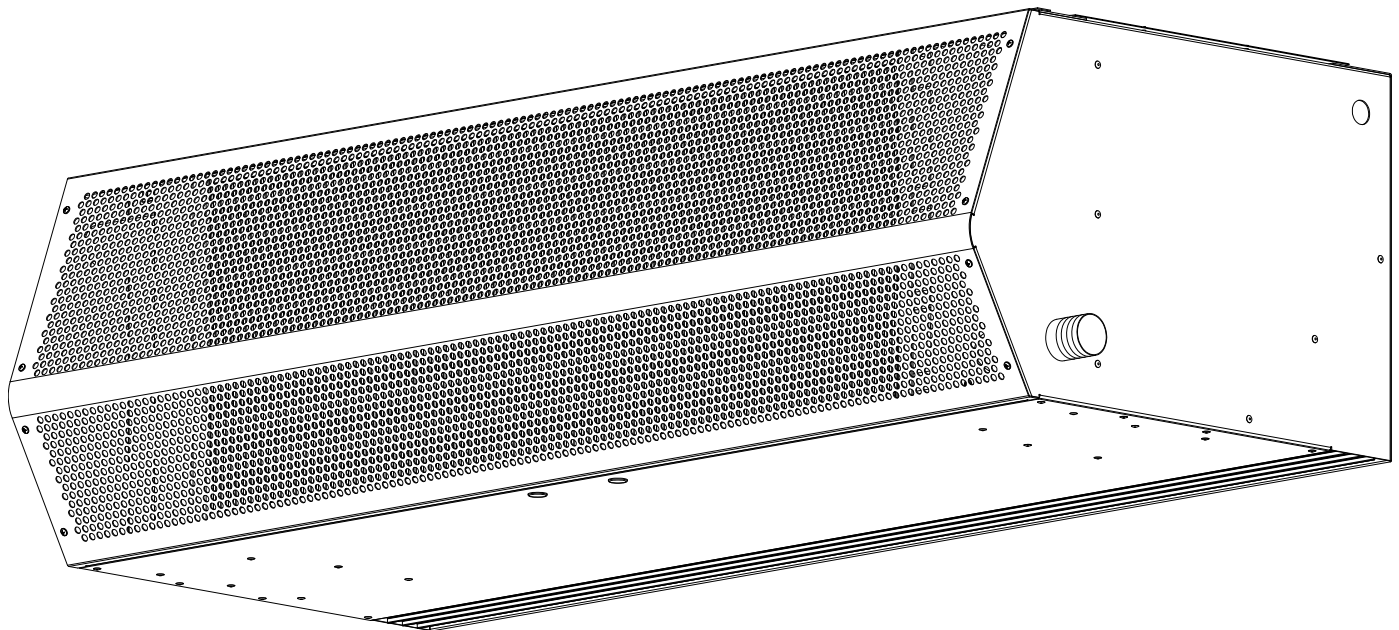
HV2 Submittal Package

atmosphere is everything

14716 S. BROADWAY, GARDENA, CA 90248 • Ph: (310)532-1555 Fax: (310)-532-3030 • [www.marsair.com](http://www.marsair.com)  
© Copyright Mars Air Systems, LLC 201

# HV2 Hot Water/Steam Heated Series 2

## High Velocity Series 2 Commercial Air Curtain Submittal Package



### Submitted by:

Mars Air Systems, LLC  
14716 S. Broadway  
Gardena, CA 90248

<b>Project Name</b>	
<b>P.O.#</b>	
<b>S.Q.</b>	
<b>Company</b>	
<b>Print Name</b>	
<b>Signature</b>	
<b>Date</b>	

(Electronic Signature Preferred)

**Company Seal or Stamp**

NOTE: MARS AIR SYSTEMS, LLC reserves the right to change specifications and product design without notice. Such revisions do not entitle the buyer to corresponding changes, improvements, additions, or replacements for previously purchased equipment.



## Table of Contents

<b><u>Page #</u></b>	<b><u>Content</u></b>
<b>3-4</b>	<b>HV2 Hot Water/Steam Submittal</b>
<b>5</b>	<b>Typical Hot Water/Steam Wiring Diagrams</b>
<b>6</b>	<b>Thermostat Submittal</b>
<b>7-8</b>	<b>Accessory Installation Supplement</b>
<b>9-12</b>	<b>Installation, Operation and Maintenance</b>
<b>13-14</b>	<b>Heated Products Supplement</b>
<b>15-16</b>	<b>Troubleshooting Guide</b>
<b>17</b>	<b>Warranty</b>
<b>18-29</b>	<b>CSI Spec</b>
<b>30</b>	<b>Reference Links</b>

# HV2 (High Velocity 2) Series

Hot Water/Steam Heated

Model Lengths: 36"–144"

Environmental Separation (up to 14')

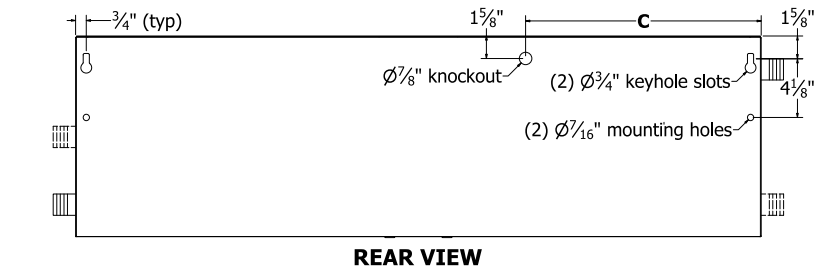
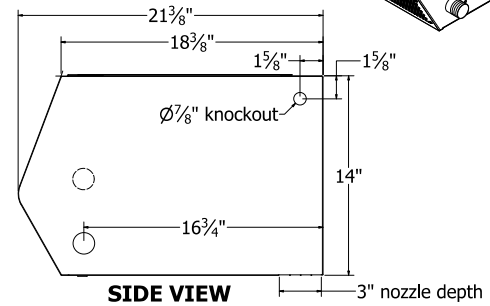
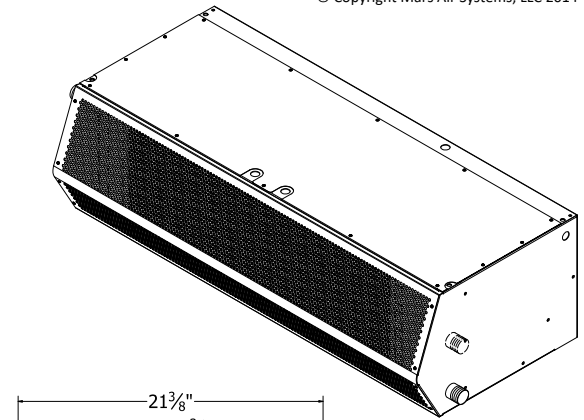
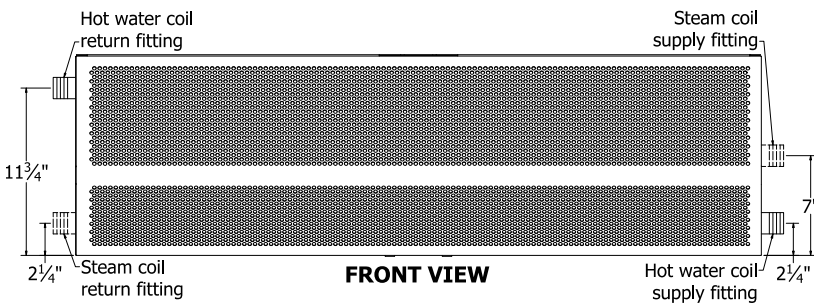
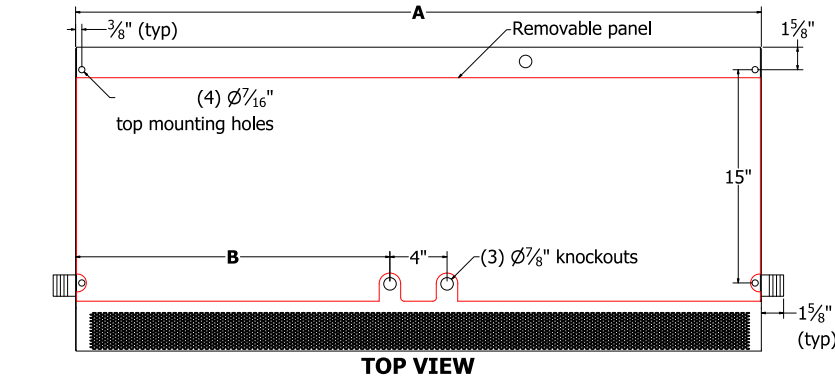
Insect Control (up to 12')



atmosphere is everything

14716 S. BROADWAY, GARDENA, CA 90248 • Ph: (310)532-1555 • Fax: (310)-532-3030 • [www.marsair.com](http://www.marsair.com)

© Copyright Mars Air Systems, LLC 2014



**Notes:**

1. Internal junction boxes provided for electrical wiring: (1) 2"x4" box for one-motor units, (1) 4"x4" box for two-motor units, (2) 4"x4" box for three-motor units.
2. Recommended service clearances are 12" to the left and right sides, 24" on top, and 24" in front of the unit.
3. Circuit protection (per NEC) to be installed by others.
4. To prevent accidental damage during operation, unit must be installed so that the bottom of the air curtain does not extend below the door header.
5. Unit can be fastened to wall on both ends without intermediate support.
6. 1 1/2" MPT coil connections.

Model Number	Mechanical Data						Lab Data				
	Overall Length A (in)	Nozzle Length (in)	Top Knockout Location B (in)	Rear Knockout Location C (in)	Motor (hp)	Weight (lb)	Max Core Velocity at Nozzle (in)	Avg Velocity (fpm)	Volume (cfm)	Uniformity (%)	Power Rating (watt)
<input type="checkbox"/> HV248-1**-TS	48	48	16 1/2	27 1/2	1	165	6144	2447	2447	88	1360
<input type="checkbox"/> HV260-1**-TS	60	60	22 1/2	33 1/2	1	190	6100	2285	2856	80	1485
<input type="checkbox"/> HV272-2**-TS	72	72	31 1/2	40 1/2	(2) 1	280	6000	2745	4118	90	2490
<input type="checkbox"/> HV284-2**-TS	84	84	37 1/2	46 1/2	(2) 1	300	6051	2654	4644	93	2610
<input type="checkbox"/> HV296-2**-TS	96	96	43 1/2	52 1/2	(2) 1	325	6144	2447	4894	88	2720
<input type="checkbox"/> HV2108-3**-TS	108	108	31 1/2	40 1/2	(3) 1	400	6000	2745	6177	90	3735
<input type="checkbox"/> HV2120-2**-TS	120	120	55 1/2	64 1/2	(2) 1	385	6100	2285	5711	80	2971
<input type="checkbox"/> HV2120-3**-TS	120	120	35 1/2	44 1/2	(3) 1	440	6060	2678	6693	93	3615
<input type="checkbox"/> HV2144-3**-TS	144	144	43 1/2	52 1/2	(3) 1	500	6144	2447	7341	88	4080

\* – Use corresponding letters in "Electrical Data" column headers (see page 2) to complete the model numbers.

Note: above data is for 60 Hz at 1725 RPM. For 50 Hz, RPM is 1450 with a 17% reduction in performance.

NOTE: Mars Air Systems, LLC reserves the right to change specifications and product design without notice. Such revisions do not entitle the buyer to corresponding changes, improvements, additions, or replacements for previously purchased equipment.

# HV2 (High Velocity 2) Series

Hot Water/Steam Heated

Model Lengths: 36"–144"

Environmental Separation (up to 14')

Insect Control (up to 12')



atmosphere is everything

14716 S. BROADWAY, GARDENA, CA 90248 • Ph: (310)532-1555 • Fax: (310)-532-3030 • [www.marsair.com](http://www.marsair.com)  
© Copyright Mars Air Systems, LLC 2014

## Standard Features:

- Air Curtain**
  - ❖ ETL-certified to conform to UL 1995 (US) and CSA 22.2 (Canada) standards for indoor use
  - ❖ Sleek self-contained one-piece heavy-gauge corrosion-proof paint lock metal design
  - ❖ Fire retardant and rust preventative electrostatic polyurethane powder coating
    - Standard color is Titanium Silver (TS)
  - ❖ 1 HP continuous duty Totally Enclosed Air Over (TEAO) motors (NEMA 1)
  - ❖ Adjustable air directional vanes with 40° sweep front to back
  - ❖ 18 months parts warranty
  - ❖ Freight included (FOB continental USA)
  - ❖ Proudly made in the USA

## Hot Water and Steam Coils

- ❖ Coil casings shall not be less than 16-gauge galvanized steel with tube holes formed with extruded collars
- ❖ Fins are die formed 0.006" aluminum (1 row – 10 FPI, 2 row – 8 FPI)
- ❖ Coil tubes constructed of heavy wall, 5/8" OD seamless copper (Steam – 0.035" & Hot Water – 0.025")
- ❖ Coil tubes arranged in a staggered pattern and mechanically expanded into fins to ensure a uniform pressure bond
- ❖ Manifolds shall be of heavy seamless copper construction
- ❖ All joints shall be brazed with high temperature silver brazing alloy (Steam – 7% & Hot Water – 3%), max steam operating pressure: 30 PSI
- ❖ Fittings shall be of wrought copper or similar construction such that the entire fluid circuit shall be of compatible nonferrous materials
- ❖ Manifold shall be fitted with 1/4" vent or drain fittings
- ❖ Supply fitting is on the right side of coil. Return fitting is on the left side
  - Same end connections available (see Coil Options below)

## Mars Recommended Accessories (see [catalog](#) for complete listing):

- ❖ **Door Limit Switches** (\$)
  - 99-125, Industrial surface mounted magnetic switch (controller required)
- ❖ **Controllers** (\$)
  - MCPB-TV\*, [Motor Control Panel](#), 120V control voltage († = # of Motors, \* = Voltage Code) (\$)
    - MCP-TD, Adjustable time delay, 1sec-100hr (panel required)
    - MCP-24V, Low voltage control option (panel required)
    - BMS-303, BMS for monitor and control (panel with MCP-24V required)
  - Note:** Dry contact provided in panel for monitoring motor. 24Vac signal provided from panel for controlling motor.
- ❖ **Thermostats** (\$)
  - 99-063, Thermostat, line voltage up to 250V max, single stage, single pole
- ❖ **Brackets** (\$)
  - B0005, Adjustable mounting bracket set, 7"-13" clearance
  - B0008 to B0011, Extended wall mounting bracket set, 10", 16", 19", and 23" clearance respectively
- ❖ **Severe Duty and Finish**
  - HSG-304SS-HV/EP, 304 Stainless steel housing construction
  - INS-WD-HV2, Washdown motor fan assembly, IP54
  - INS-XP-HV2, Explosion resistant motor fan assembly, Class 1, Division 1, Group D (TENV)
    - Note:** Washdown and explosion proof units draw higher motor amperage (see electrical data table). Control panels for these units require OL/MP with higher amperage range (use MCP-MWD or MCP-MXP accessory).
- ❖ **Coil Options**
  - HSG-COIL-LH, Accessory, Left Hand HW/S Coil Connection Adder
  - HSG-COIL-RH, Accessory, Right Hand HW/S Coil Connection Adder
  - HSG-COIL-SD, Accessory, Steam Distributing Coil Conversion (per foot)

(\$) = Shipped loose

## Sound Levels (measured at 10' in a free field):

Coil Data	Hot Water				Steam		
	Coil Code (X)	GPM	MBH	Temp Rise (°F)	Coil Code (Y)	MBH	Temp Rise (°F)
<input type="checkbox"/> HV248-1**-TS	2 Row	16	96	37	1 Row	91	35
<input type="checkbox"/> HV260-2**-TS	2 Row	14	115	39	1 Row	112	38
<input type="checkbox"/> HV272-2**-TS	2 Row	19	154	40	1 Row	143	37
<input type="checkbox"/> HV284-2**-TS	2 Row	15	175	35	1 Row	178	36
<input type="checkbox"/> HV296-2**-TS	2 Row	15	194	37	1 Row	198	37
<input type="checkbox"/> HV2108-3**-TS	2 Row	16	219	38	1 Row	221	38
<input type="checkbox"/> HV2120-2**-TS	2 Row	15	230	39	1 Row	237	40
<input type="checkbox"/> HV2120-3**-TS	2 Row	16	249	35	1 Row	263	36
<input type="checkbox"/> HV2144-3**-TS	2 Row	14	275	35	1 Row	304	38

\* - Use corresponding letters in "Coil Code" and "Voltage Code" column headers to complete the model numbers.  
EAT: 70 F, EWT: 200 F, Steam pressure: 5 PSI

Electrical Data Full Load Amp (FLA)	Unit Voltage (Voltage Code)					
	Single Phase		Three Phase			
	115V/1Ø <input type="checkbox"/> (A)	208-230V/1Ø <input type="checkbox"/> (D)	208-230V/3Ø <input type="checkbox"/> (G)	460V/3Ø <input type="checkbox"/> (H)	575V/3Ø <input type="checkbox"/> (I)	
<input type="checkbox"/> HV248-1**-TS	9.0	5.0	3.3/3.2	1.6	1.3	
<input type="checkbox"/> HV260-2**-TS	9.0	5.0	3.3/3.2	1.6	1.3	
<input type="checkbox"/> HV272-2**-TS	18.0	10.0	6.6/6.4	3.2	2.6	
<input type="checkbox"/> HV284-2**-TS	18.0	10.0	6.6/6.4	3.2	2.6	
<input type="checkbox"/> HV296-2**-TS	18.0	10.0	6.6/6.4	3.2	2.6	
<input type="checkbox"/> HV2108-3**-TS	27.0	15.0	9.9/9.6	4.8	3.9	
<input type="checkbox"/> HV2120-2**-TS	18.0	10.0	6.6/6.4	3.2	2.6	
<input type="checkbox"/> HV2120-3**-TS	27.0	15.0	9.9/9.6	4.8	3.9	
<input type="checkbox"/> HV2144-3**-TS	27.0	15.0	9.9/9.6	4.8	3.9	

\* - Use corresponding letters in "Coil Code" and "Voltage Code" column headers to complete the model numbers.

Ampacity (MCA) = total FLA x 1.25

### Alternate voltage codes with FLA data:

- 277V/1Ø/60Hz (L) – 5.2A per motor
- 220V/1Ø/50Hz (U) – 7.1A per motor
- 380-415V/3Ø/50Hz (W) – 1.8A per motor

### Explosion proof motor FLA data (INS-XP-STD2):

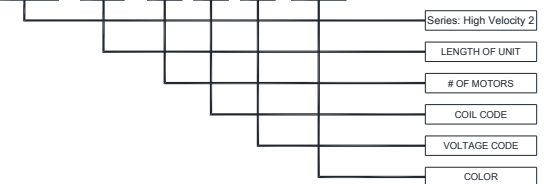
- 115V/1Ø/60Hz (A) – 12.8A per motor
- 208-230V/1Ø/60Hz (D) – 6.4A per motor
- 208-230V/3Ø/60Hz (G) – 3.5/3.2A per motor
- 460V/3Ø/60Hz (H) – 1.6A per motor

### Washdown motor FLA data (INS-WD-STD2):

- 115V/1Ø/60Hz (A) – 12A per motor
- 208-230V/1Ø/60Hz (D) – 6.4/6A per motor
- 208-230V/3Ø/60Hz (G) – 3.3A per motor
- 460V/3Ø/60Hz (H) – 1.5A per motor

EXAMPLE

**HV2 144-3 X H-TS**



NOTE: Mars Air Systems, LLC reserves the right to change specifications and product design without notice. Such revisions do not entitle the buyer to corresponding changes, improvements, additions, or replacements for previously purchased equipment.

## **HV2 (High Velocity 2) Series**

Hot Water/Steam Heated

Model Lengths: 36"–144"

Environmental Separation (up to 14')

Insect Control (up to 12')

1 Motor Unit = 70 dBA, 2 Motor Unit = 73 dBA, 3 Motor Unit = 75 dBA



atmosphere is everything

14716 S. BROADWAY, GARDENA, CA 90248 • Ph: (310)532-1555 • Fax: (310)-532-3030 • [www.marsair.com](http://www.marsair.com)

© Copyright Mars Air Systems, LLC 2014



atmosphere is everything

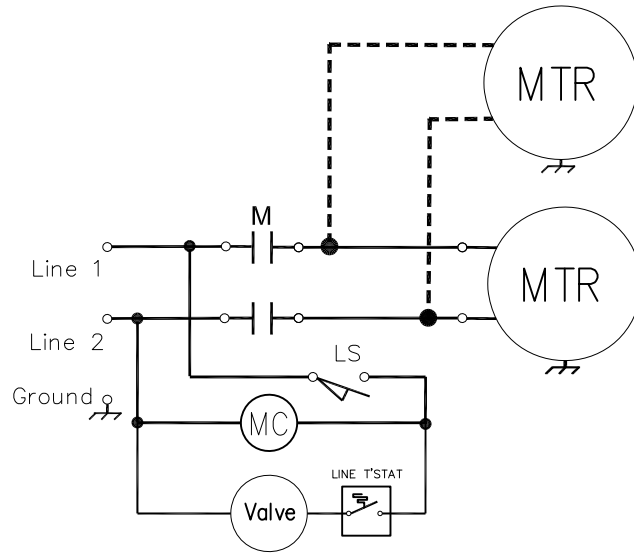
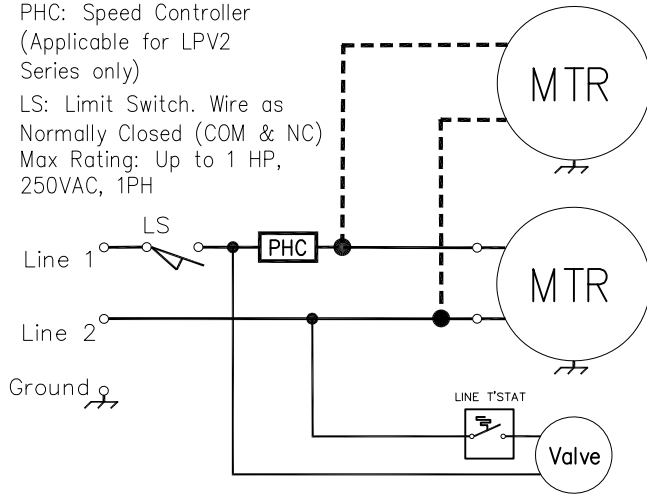
14716 S. Broadway • Gardena, CA 90248 • USA  
 TEL:(310) 532-1555 • (800) 421-1266 • FAX:(310) 324-3030  
 Web Site: www.marsair.com • E-mail: info@marsair.com

PROJECT		OPTIONS/ITEMS	
TITLE		DATE 03/13/20 PAGE	
COMMENTS		REV. NO 2	
MODEL NO. Series 2	DRAWING NO. TYPICAL-HW-S Heated	DRAWN BY VM	CHECKED BY NT
		FILE NAME	

## TYPICAL Hot Water/Steam HEATED DIAGRAMS

### SINGLE PHASE

PHC: Speed Controller  
 (Applicable for LPV2 Series only)  
 LS: Limit Switch. Wire as Normally Closed (COM & NC)  
 Max Rating: Up to 1 HP, 250VAC, 1PH



#### 120/208-240/277v Single Phase Motor

1/6 H.P. Use 15A Limit Switch  
 1/2 H.P. Use 15A Limit Switch  
 1 H.P. Use 20A Limit Switch

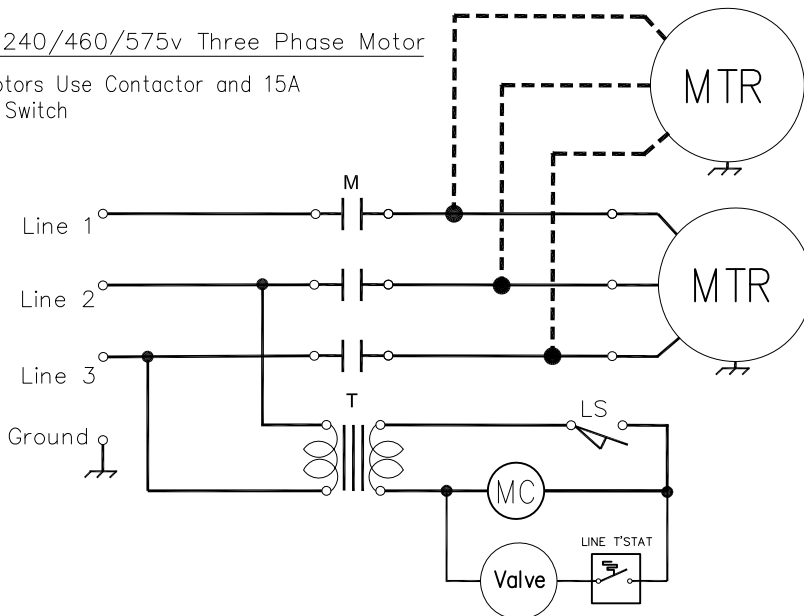
#### 120/208-240/277v Single Phase Motor

Larger than 1 H.P. Use Contactor and 15A Micro Switch

### THREE PHASE

#### 208-240/460/575v Three Phase Motor

All Motors Use Contactor and 15A Micro Switch



#### Typical Single Phase Motor Terminal Connections:

For 1/2 HP: <1> is Common for 115V

<1> is Hot for 208/230V

<2> is Low Speed

<3> is High Speed

<4> is Ground

<5> is Medium Speed

For 1 HP: <1> is Common for 115V, 208/230V

<2> is High Speed

<3> is Low Speed

<4> is Ground

Notes: This wiring diagram is applicable for Single Phase motors as follows:

LPV2: Up to 3 motors

STD2: Up to 2 motors

HV2: 1 motor

\*See Door Limit Switch submittal for additional switch info

### S Y M B O L S

LS - Limit Switch

M - Contactor or Motor Starter

MC - Contactor Coil

T - Control Transformer

PHC - Speed Controller (LPV series only)

Valve - Solenoid Valve for HW/S coil

# Thermostats



Line voltage to low voltage Models

atmosphere is everything

14716 S. BROADWAY, GARDENA, CA 90248 • Ph: (310)532-1555 Fax: (310)-532-3030 • [www.marsair.com](http://www.marsair.com)  
© Copyright Mars Air Systems, LLC 2014

## Thermostats

Thermostat Part #	Description	Applicable Air Curtain Series
99-063	Thermostat, 801, Line Voltage, Up to 250V, Analog, Single Stage, Single Pole	All Hot Water / Steam
99-064	Thermostat, 802, Line Voltage, Up to 250V, Analog, Two Stage, Double Pole	WM/BD Electric
99-264	Thermostat, 9200H, 24 Volt, Digital, Single Pole, R.G.W.Y.B.O.	Elec LPV2, STD2, HV2, EP2, PH & All Gas Fired
99-263	Thermostat, RS4110, 24 Volt, Digital, Single Pole, R.G.W.Y.B.O., Battery Power	Elec LPV2, STD2, HV2, EP2, PH & All Gas Fired

### Features:

- ❖ Allows automatic control of heated air
- ❖ Remote mounted (field installed by others)
- ❖ Temperature range from 50F to 90F
- ❖ Regulates the heat near the air curtain
- ❖ Analog Bimetal Temperature Sensing
- ❖ Thermostats are UR (UL Recognized)
- ❖ 1 year warranty

### Line Voltage (99-063, 99-064)

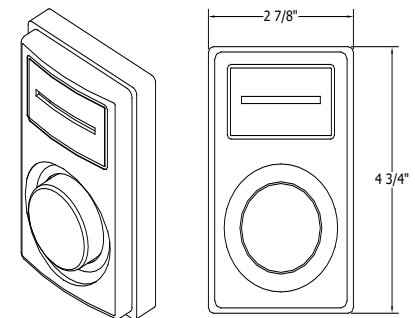
- ❖ Applicable for all Hot Water/Steam Heated and WM/BD Electric models
- ❖ Single Stage, Single Pole (99-063) or Double Stage, Double pole (99-064), up to 250V
- ❖ Remote Wall Mounted by others
- ❖ Requires Junction Box (J-Box field supplied and installed)

### Low voltage (99-264, 99-263)

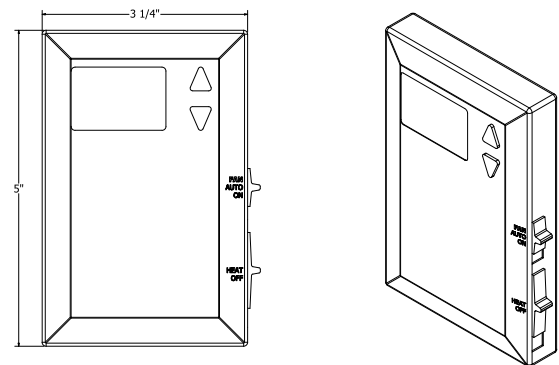
- ❖ Applicable for STD2, HV2, EP2, PH Electric models and for all Gas Heated models
    - Included with STD2, HV2, EP2, PH Electric models
  - ❖ Low voltage (24V) control
  - ❖ Fan and Heat Control Switch
  - ❖ Remote Wall Mounted by others
- \*Do not mount low voltage thermostat greater than 30ft from the air curtain. Mounting the low voltage thermostat too far from the air curtain may cause a voltage drop and cause chattering.

### Options and Accessories:

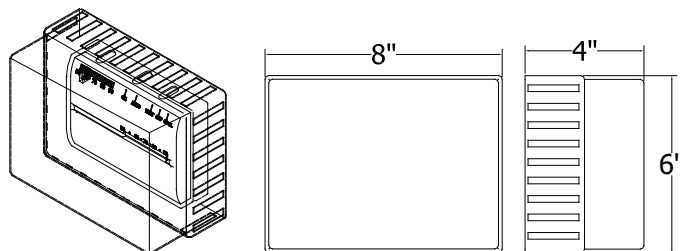
- ❖ 2 Stage Line Voltage Thermostat
- ❖ Digital Programmable Low Voltage Thermostat
- ❖ Digital Low Voltage Thermostat with Battery Backup
- ❖ Factory Wired and Installed Thermostat
- ❖ Lockable clear cover



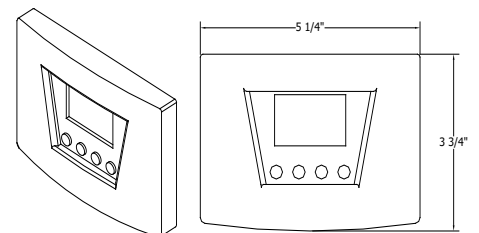
99-063 – Thermostat, 801, Line Voltage, Single Stage, Single Pole



99-264 – Thermostat, 24 Volt, Digital, Single Stage, R.G.W.Y.B.O.



99-182 - Cover, Lockable, Clear



99-263 – Thermostat, 24 Volt, Digital, Single Stage., R.G.W.Y.B.O., Battery Power

NOTE: MARS AIR SYSTEMS, LLC reserves the right to change specifications and product design without notice. Such revisions do not entitle the buyer to corresponding changes, improvements, additions, or replacements for previously purchased equipment.

## ACCESSORY INSTALLATION SUPPLEMENT

### Door Limit and Magnetic Reed Switches

1. Mars door limit and magnetic reed switches are available with NEMA 1, 4X and 7 ratings. Contact the factory for additional ratings and details. (See FIG. 1 for typical single swing, hinged door type, door limit switch installation)

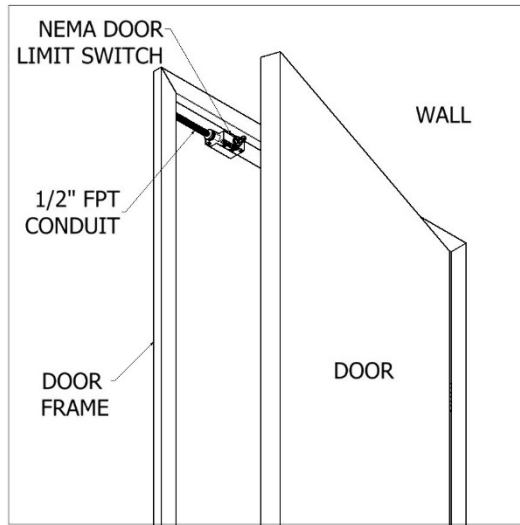


FIG. 1

2. Use light gauge materials when field fabricating brackets to activate and deactivate the door limit switch(es). (FIG. 2) Figure 2 also shows the typical installation of the combination plunger/roller type NEMA 1 door limit switch, for all non-hinged style doors.

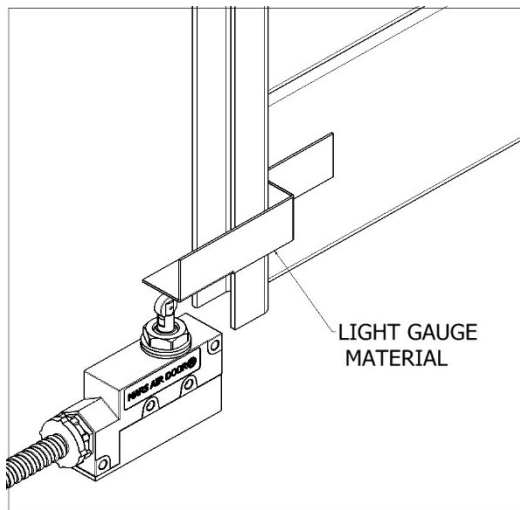


FIG. 2

3. All wiring must be per local and NEC (National Electric Code) codes.
4. Panels or controllers may be required. Refer to wiring diagram inside the control panel box.

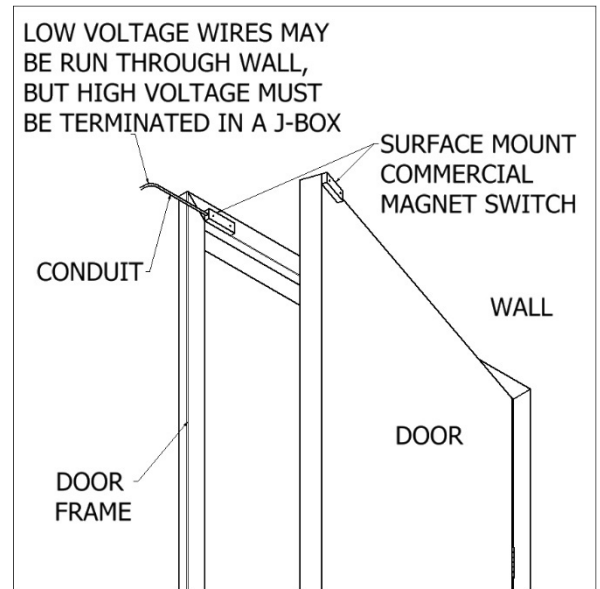


FIG. 3

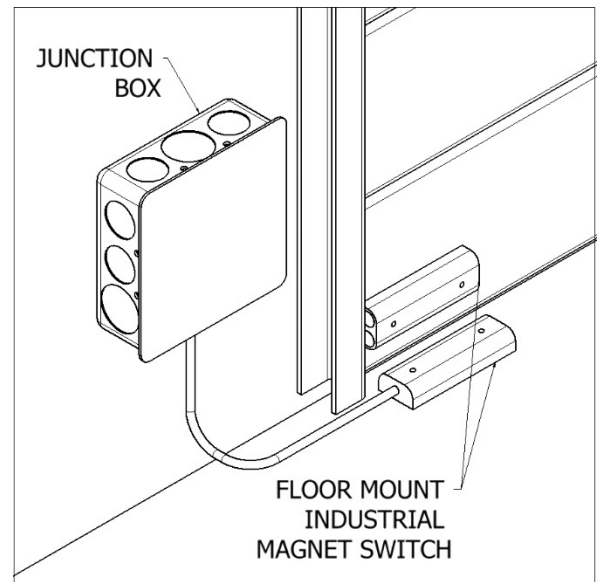


FIG. 4



atmosphere is everything

### Bracket Installation

1. Side Extension Plates: For doorways wider than the air curtain, use combination of Side Extension Plates and Adjustable Mounting Brackets. (FIG. 5)

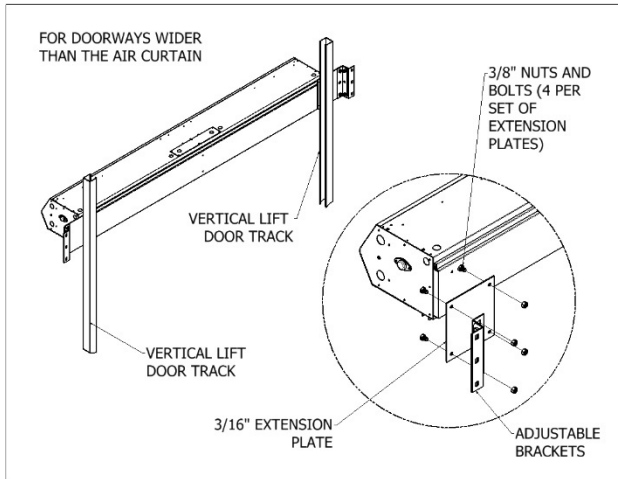


FIG. 5 (LPV SHOWN)

2. Adjustable Mounting Brackets: For installation of air curtain over drum-style roll-up door, use Extended Wall Mounting Brackets. (FIG. 6)

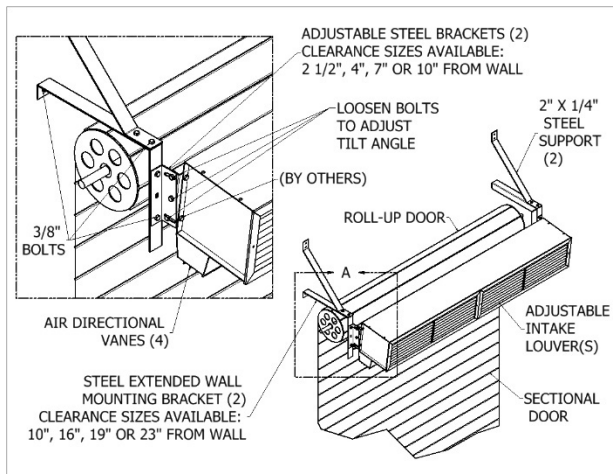


FIG. 6 (STD SHOWN)

3. Extended Wall Mounting: For Tandem Mounting of air curtain over sectional style door, use either wall mounting angle brackets or threaded rods.
4. Top Mounting Brackets: For overhead installation of units, use in conjunction with the threaded holes provided on top of unit.

**Note:** Angle brackets, threaded rods and I Beams are provided by others. (FIGS. 7 & 8) All optional brackets are not available for WMI/WMH and BD Series.

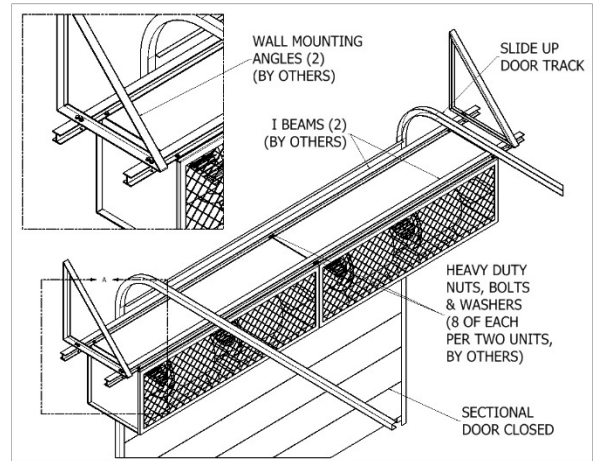


FIG. 7 (WMI/WMH SHOWN)

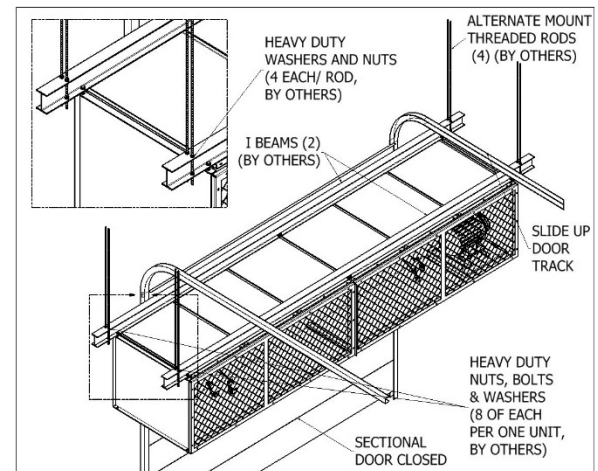


FIG. 8 (BD SHOWN)



atmosphere is everything

Document No: IND2-IOM  
Date: 08/14/20

## STANDARD 2 (STD2), HIGH VELOCITY 2 (HV2), EXTRA POWER 2 (EP2) AND ETL SANITATION CERTIFIED INDUSTRIAL SERIES

### Installation, Operation and Maintenance Manual

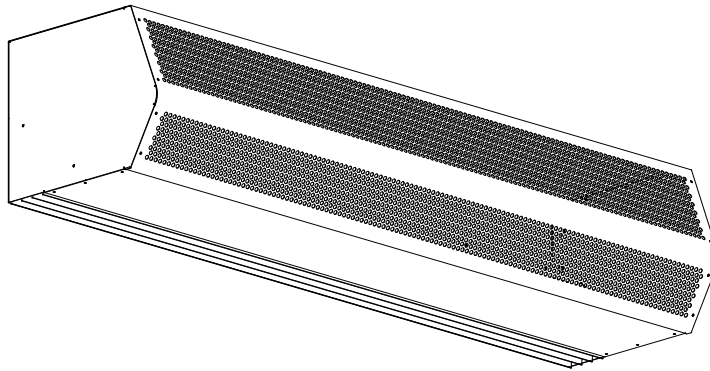
Please read and save these instructions. Read carefully before attempting to assemble, install, operate, or maintain the product described. Protect yourself and others by observing all safety information. Failure to comply with these instructions could result in personal injury and/or property damage. Retain these instructions for future reference.

#### OVERVIEW

Mars Air Curtains are designed to cover door openings, providing both temperature control/environmental separation and flying insect control, when the building's doors are opened. Typical installation heights are:  
Standard 2 Series

(Environmental Separation up to 12', Flying Insect Control up to 10'), High Velocity 2 Series (Environmental Separation up to 14', Flying Insect Control up to 12'), and Extra Power 2 Series (Environmental up to 16', Flying Insect Control up to 14'). All ETL Sanitation Certified Series should be mounted at 7' for Flying Insect Control. The units are typically wall mounted horizontally above the door opening. They can also be suspended from the ceiling or vertically mounted alongside the opening. The units are ETL Listed for either an inside or outside mount. Heated units must be mounted on the inside or the protected side of the opening. The motors used in the Standard 2, High Velocity 2 and Extra Power 2 Series are 1/2HP, 1HP and 3HP, respectively. The ETL Sanitation Series utilizes 1/2HP and 1HP motors.

The Standard 2, High Velocity 2 and Extra Power 2 Series come standard with an air intake grille. They can also be configured with an aluminum mesh air intake filter instead of the air intake grille or in conjunction with it.



#### GENERAL SAFETY INFORMATION

Use this product only in the manner intended by the manufacturer. If you have any questions, contact the manufacturer. Only qualified personnel should install this product. Installing personnel should have a clear understanding of these instructions and should be

aware of general safety precautions. Improper installation can result in electric shock, possible injury due to coming in contact with moving parts, as well as other potential hazards.



#### WARNING

To reduce the risk of fire, electric shock, or injury to persons, observe the following.

- A. Always disconnect, lock and tag power source before installing or servicing product.
- B. Installation work or electrical wiring must be done by qualified person(s) in accordance with all applicable codes and standards, including fire-rated construction.
- C. The combustion airflow needed for safe operation of fuel burning equipment in the area may be affected by the product's operation. Follow the heating equipment manufacturer's guideline and safety standards, such as those published by the National Fire Protection Agency (NFPA), the American Society of Heating, Refrigeration and Air Conditioning Engineers (ASHRAE) and local code authorities.
- D. When cutting or drilling into a wall or ceiling, be careful not to damage electrical wiring and other hidden utilities.



#### WARNING

When servicing the product, motor may be hot enough to cause pain or injury. Allow motor to cool before servicing.



## WARNING

Precaution should be taken in explosive atmospheres.

## RECEIVING AND INSPECTION

Upon receiving the product, check to make sure all items are accounted for by referencing the Bill of Lading to ensure all items were received. Inspect each carton for shipping damage before accepting delivery. Notify the freight carrier if any damage is noticed. The carrier will make notification on the delivery receipt acknowledging any damage to the product. All damage should be noted on all copies of the Bill of Lading which is countersigned by the delivering carrier. A Carrier Inspection Report should be filled out by the carrier upon arrival and a report given to the Traffic Department. If damaged upon arrival, file a claim immediately with the carrier. Any physical damage to the unit after acceptance is not the responsibility of Mars Air Systems.

## UNPACKING

Verify that all parts, components and accessories, and the correct quantities of each have been received. If any items are missing, report shortages to Mars Air Systems directly to arrange for obtaining the missing items. Again, verify quantities received against those on the Bill of Lading only, as multiple shipments may be involved.

## INSTALLATION

### Typical Mounting – Wall or Ceiling Mounted Horizontally Above the Door Opening

1. Remove the air intake grille(s) and/or filter(s) from the product and set aside. Only products 48" or less, except HV2 and EP2 models, are shipped with the motor fan assembly (MFA) mounted inside.
2. Measure the housing and center it over the opening. The air curtain shall be equal to or greater than the width of the opening.
3. Total of two (2) key-hole slots and six (6) pre-punched mounting holes are provided for your convenience. The 7/16" pre-punched holes (4) provided, (2) on each end for top/ceiling mounts. The 1/2" key-hole slot and 7/16" pre-punched hole (2) provided, (2) on each end for wall mounts. These holes must be utilized to secure the product to the wall or ceiling. If necessary, holes may be drilled inside the product to align with the stud spacing. All hardware is field provided by others.
4. Mount the product such that the discharge is 1" above the opening and all obstacles. (FIG. 1)

**Note:** If the product is installed higher than the recommended 1" above the opening, then it must be moved 3/8" away from the wall for every 1" that it is moved up. Any void between the wall and the product must be sealed, by others, to optimize performance.

5. Use four (4) threaded rods for overhead installation or four (4) threaded bolts for wall installation. All hardware is field provided by others. (FIG. 1)
6. If applicable, optional Adjustable Mounting Brackets, Side Extension Plates and Extended Wall Mounted Brackets are also available for installations over a Vertical Lift or Drum Roll-up type door. (Reference **Accessory Installation Supplement**)
7. If applicable, for tandem installation or products mounted side by side, allow no more than 6" between the two products. For overhead installation using threaded rods, the products may require a beam, by others, to span the full distance of the mounting length. (Reference **Accessory Installation Supplement**)
8. All wires must be connected internal of the unit and some knockouts are provided. However, it may be necessary to create your own knockout, as required.
9. The unit must be wired per NEC and local codes.

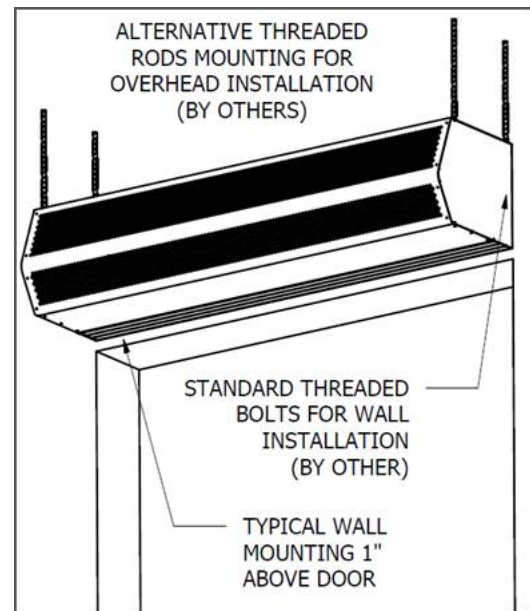


FIG. 1

### Motor Fan Assembly Installation and Electrical Field Wiring

1. Once the housing is installed over the opening, the Motor Fan Assembly (MFA) must be re-placed and securely fastened. For products with the MFA shipped loose, wing nuts or hex nuts are provided inside the unit (FIG. 2). For heated MFA installation, reference **Heated Products Supplement Sheet**.
2. The unit and any optional accessories must be wired with the proper voltage to the junction box per the wiring diagram. (FIG. 3, unheated products only)
3. All 3 phase motors are bi-directional, which means they can rotate in either direction. Follow directional arrows on the blower wheel housings for proper rotation. If the motor is rotating incorrectly, switch two of the 3 phase

4. power or motor leads and the motor will rotate the opposite direction. Make sure all motors are turning in the same and proper direction. (FIG. 2)
5. Replace the air intake grille(s) or filter(s) once the product has been properly tested.

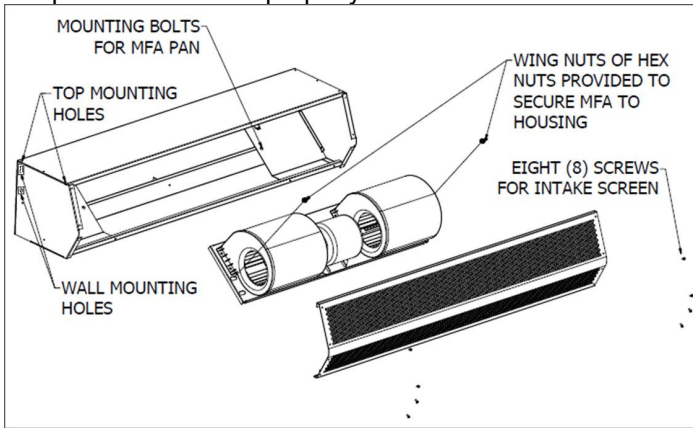


FIG. 2

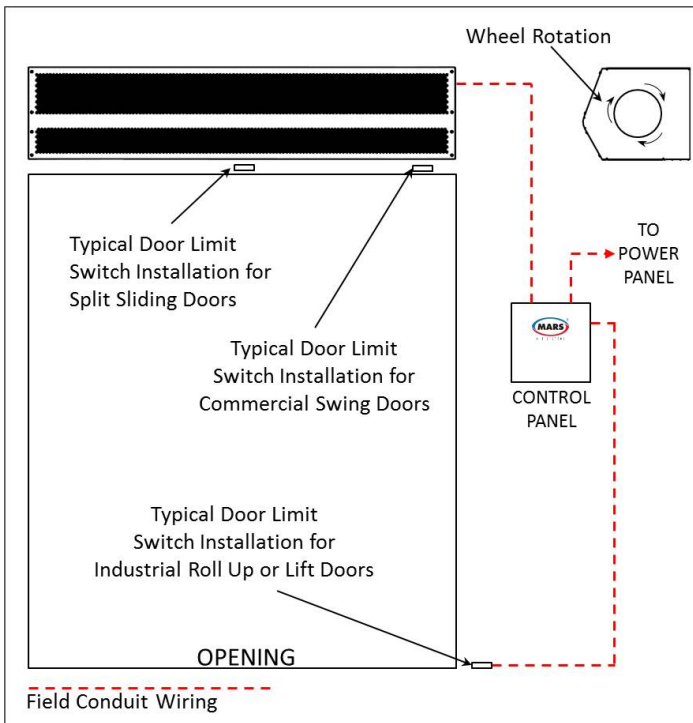


FIG. 3

### NOTE

**For accessory installation, reference Accessory Installation Supplement.**

**For heated products, reference Heated Products Supplement.**

### START-UP

This product has been assembled and tested at the factory prior to shipping. The following procedures should be performed to assure its performance. Before continuing with the start-up, it is important to recognize the safety controls furnished with the unit.



### WARNING

The following items must all be completed by a qualified installer and checked off when completed

- A. Re-check that the product has been installed properly and is level and secure.
- B. Check all terminal screws are tight and field wiring is connected in accordance to National Electrical Code and wired per the enclosed wiring diagram. For electric heated models, ensure that the coils are secured and not touching each other on any metal surface.
- C. Verify proper voltage prior to powering the product. (See product label for reference).
- D. Check all field wired components "if supplied" are wired correctly.
- E. Check that the inlet air supply and the discharge air supply are free of obstructions.
- F. Check that all air filter(s) and/or air intake grille(s) are in place and installed properly, as originally shipped.
- G. Verify voltage to the product once more and turn power on.
- H. Regardless of whether the product is mounted on the inside or outside of the door opening, set the air directional vanes in the discharge nozzle slightly outward to approximately 10-15° towards the outside, or the wind load. (FIG. 4)

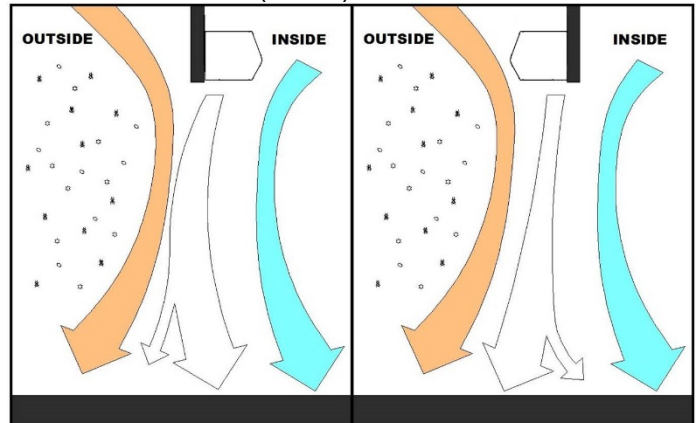




Fig. 4

- I. For products with control panels, turn the HOA (Hand-On-Auto) selector switch to "On" position and open the door to energize the product. For products without a control panel or an On/Off switch, open the door to energize the product.
- J. If heated products are installed, reference **Heated Products Supplement**.
- K. For three phase units, verify direction of rotation of blower wheels (note direction arrows on the blower wheel housing). Correct if needed by changing polarity of three phase power.
- L. **VERY IMPORTANT** Using a clamp meter, measure the amperage to each motor and ensure that they do not exceed the amperage listed on the product label.

M. If applicable, adjust the air intake grille(s) such that the output air stream reaches the floor. For temperature control and environmental separation applications, the air stream should reach the floor with sufficient strength to create an air seal around the door opening without creating turbulent mixing of the inside and outside air. For flying insect control applications, the air stream should reach the floor with maximum strength. If after proper installation and adjustment, the product appears to be producing too little or too much air for the application, contact the manufacturer.

## MAINTENANCE

Routine maintenance is required to keep this product operating at its peak performance and efficiency. Over time, the housing, air intake grille, air intake filter, blower wheels and motor(s) will accumulate a buildup of dust, debris and other residue. It is imperative to keep these components clean. Failure to do so will not only lower operational efficiency and performance, but also reduce the useful life of the product. The time between cleanings

 <b>WARNING</b>
Prevent hazard of electrical shock. More than one disconnect switch may be required to de-energize this product.
 <b>WARNING</b>
To reduce the risk of fire, electrical shock, or injury to persons, observe the following: A. Maintenance is to be performed only by qualified personnel who are familiar with local codes and regulations and are experienced with this type of product. B. Before servicing or cleaning the product switch power off at service panel and lock service panel to prevent power from being switched "ON" accidentally.

depends on the application, location, and daily hours of use. On average, under normal use conditions, the product should require a thorough cleaning once every six (6) months.

### To clean the product, perform the following:

1. Verify the product has been disconnected from the power source.
2. Use a damp cloth and either a warm mild soapy water solution or bio-degradable degreaser, to wipe down the exterior components of the housing.
3. To access the interior of the product, remove the air intake grille and/or air intake filter. This is accomplished by removing the eight (8) self-tapping screws on the face of each air intake grille/filter.
4. Thoroughly clean the air intake grille/filter.

5. Remove the motor fan assembly (MFA) from inside the air curtain housing. This is accomplished by loosening the watertight fitting and pulling the cord out (3 phase power) or by the quick disconnect plug on the motor (1 phase power). Then remove the two (2) wing nuts on the out-board sides of the MFA pan. Care should be taken to avoid the MFA from tipping over.
6. Remove the MFA from the unit and thoroughly wipe down the motor, blower wheels and blower wheel housings. Be careful not to submerge the motor in water or spray it with a water hose.
7. The motor(s) require no additional lubrication. They are permanently lubricated and feature double sealed ball bearings.
8. To re-install the product, reverse the procedures above.
9. Reconnect the power source to the product
10. If you have any questions regarding the maintenance of the product, contact the manufacturer.

## SPECIAL APPLICATIONS

### Outdoor Installation

For outdoor unit special consideration may be required for enclosure, motor, wheel, and other components to minimize damage caused by exposure to the outdoor elements. Contact factory for special construction and costing.

### Freezer and Cooler Installation

Air curtain must be mounted on the warm side for optimal performance. Variable Frequency Drive (VFD) is strongly recommended to control the air curtain air flow velocity at the floor level.

High humid areas may require de-humidifier or additional defrost cycle to minimize condensation and freezing for freezer applications. We recommend the air curtain unit to not replace doors but work in conjunction with door opening sequence cycle. Contact factory for details.

## CAUTION

The appliance is not to be used by persons (including children) with reduced physical, sensory, or mental capabilities, or lack of experience and knowledge, unless they have been given supervision or instruction. Children are not to play with the appliance.

## DISCLAIMER

Mars reserves the right to change specifications and product design without notice. Such revisions do not entitle the buyer to corresponding changes, improvements, additions, or replacements for previously purchased equipment.

## HEATED PRODUCTS SUPPLEMENT

### NOTE

**Before proceeding, refer to the unit's specific IOM Manual for safety, installation, and startup information. Verify proper voltage to the product per local and NEC codes. Ensure proper rotation for units with three phase motors.**

### Electric Heated Products

Electric heated products are certified only for indoor use. Electric heated products come standard with a thermostat (shipped loose, unless ordered as factory pre-mounted) which is to be field installed at eye level within 3 feet of the unit.

#### Note:

1. Electric heated Low Profile 2, Standard 2, High Velocity 2, Extra Power 2, and Phantom series units come standard with internally mounted controls with 24V control circuit (FIG. 1).
2. Wiring connection for the electric heated Low Profile 2 units is at the top of the housing which can be accessed by removing the top cover plate, while internal terminal blocks are provided for electric heated Standard 2, High Velocity 2, Extra Power 2, and Phantom series units.
3. Electric heated Wind Stopping and WindGuard units include an electric heater control panel mounted on the right-hand side, as standard. Optional motor/unit control panel available, which includes a remote 24-volt thermostat with On/Off switch with terminals provided.

The thermostat should be mounted close to the product to best sense the air temperature in the vicinity of the door opening. Connect proper voltage to the product per local and NEC codes.

Thermal overload protection is built into all heater coil assemblies. In the event of an overload condition, the overload will trip and disconnect electrical power from the heater coil. Upon diagnosing and fixing the problem, power can be reconnected to the heater coil by manually resetting the thermal overload by way of the button(s) or lever(s) located in the unit or panel.

To operate multiple units in conjunction using a single door switch and single thermostat, a primary/secondary configuration is required (FIG. 2).

For high ampacity units, additional holes can be drilled to bring in additional electrical wires. Use appropriate bushings for new holes to protect wire casing. High temperature silicon wires are recommended for main supply power.

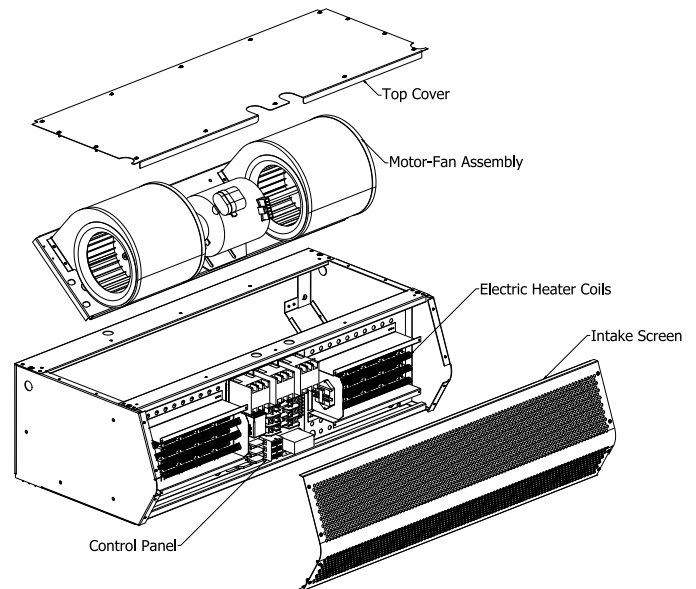


FIG. 1 (Electric Heated STD2 unit)

An unobstructed clearance space of 18-24" is required at the top of all heated air curtains to allow for service and optimal performance.

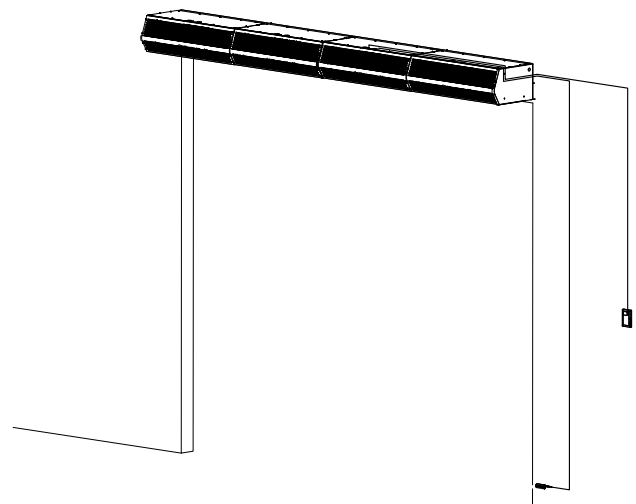


FIG. 2 (Tandem Mounted Primary/Secondary Units)

## Hot Water and Steam Heated Products

Hot water and steam heated products are certified only for indoor use. Low Profile 2, Standard 2, High Velocity 2, Extra Power 2, and Phantom series units are shipped with coils mounted in the interior of the unit. Wind Stopping and WindGuard units are shipped with coils factory mounted to the exterior of the unit.

Once the coil has been secured to the cabinet, access to the motor and fan is through the removable access panels located on the top of the cabinet for Standard 2, High Velocity 2, Extra Power 2, Phantom series, and WindGuard units.

**Note:** Low Profile 2 and Wind Stopping units require the removal of the coil to access the motor(s) and/or fans.

All piping should be done by a licensed pipe fitter and in accordance with local codes and regulations. Connect the supply and return fittings as required. All traps and valves are to be sized and field installed by others. For Standard 2, High Velocity 2, and Extra Power 2 units, front intake screen must be removed to access vent plugs. Standard coil configuration is right hand supply and left-hand return (FIGS. 3 & 4) except for Low Profile 2 series, which has supply and return connection on the same end. Optional temperature controls, if ordered, are to be field installed by others.

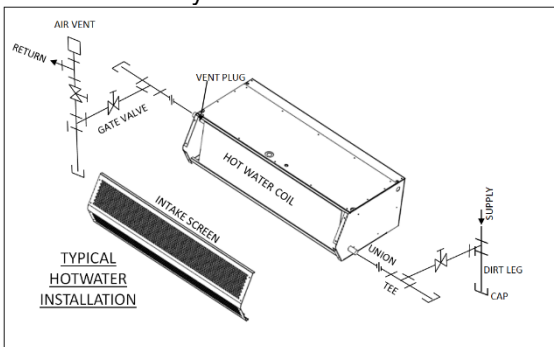


FIG. 3 (Hot Water Heated STD2 Unit)

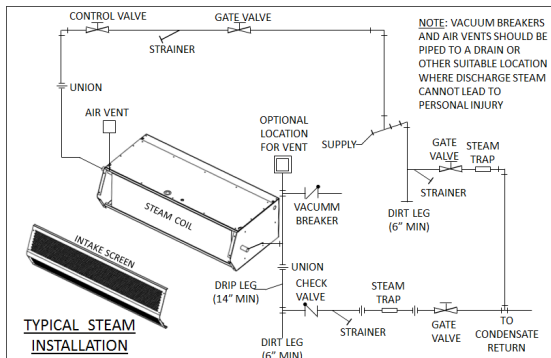


FIG. 4 (Steam Heated STD2 Unit)

## Gas Heated Products

Gas heated products are certified only for indoor use. The product consists of three major components: the air curtain, the transition section(s), and the indirect gas fired duct furnaces(s) (FIG. 5).

The transition section(s) are shipped knocked down and are to be field assembled and installed per their supplemental instructions (FIG. 6). Exceptions are the Wind Stopping and WindGuard series, which are shipped with fully assembled transitions.

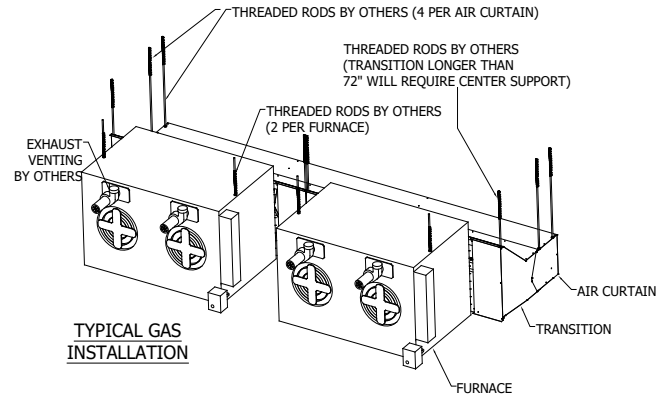


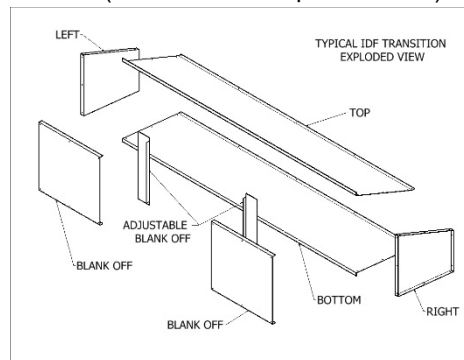
FIG. 5 (Indirect Gas Fired Heated HV2 Unit)

### Note:

1. Assemble the transition section(s).
2. Measure the width of the transition section(s) to determine the best installation location for the duct furnace(s).
3. The duct furnace(s) are typically suspended from above with threaded rods. The duct furnace(s) must be centered and equally spaced with a 2" clearance between the furnace(s) and the transition section(s).
4. Install the adjustable blank off plates to close the gaps in the transition section(s) and secure the flanges to the transition section(s).

All gas piping and duct furnace exhaust venting should be done by a licensed pipe fitter and in accordance with local codes and regulations. Power vented exhaust duct runs should not exceed 100' for horizontal venting. See furnace installation manual for additional piping and other details.

FIG. 6 (Transition Kit Exploded View)



In the United States, installation must conform to local codes or, in the absence of local codes, with the latest edition of the National Fuel Gas Code (ANSI Z223.1/NFPA 54). Further

reference should be made to the recommendation of your fuel supplier. In Canada, installation must conform with local codes or, in the absence of local codes, with the latest edition of the Installation Code for Gas Burning Appliances and Equipment (CAN/CGA B149.1). Further reference should be made to the recommendation of your fuel supplier.


## TROUBLESHOOTING

PROBLEM	CAUSE	SOLUTION
NO AIR BLOWING OUT OF DISCHARGE NOZZLE	<ul style="list-style-type: none"> <li>- No power being supplied to the unit from the electrical power source</li> <li>- Circuit breaker is tripped</li> <li>- Blown fuses on power supply</li> <li>- Motor overload is open or tripped</li> <li>- Motor contactor / relay defective (if applicable)</li> <li>- Failed switch</li> </ul>	<ul style="list-style-type: none"> <li>- Confirm power source / check if in on position</li> <li>- Reset circuit breaker</li> <li>- Replace fuses</li> <li>- Allow the motor to cool down; motor has auto reset internal overload; if unit is panel equipped, press reset button on overload inside panel, or replace motor overload if overload remains tripped</li> <li>- Check voltage to coil; check contacts to see if they are pulling in</li> <li>- Replace or repair limit switch</li> </ul>
MOTOR IS RUNNING BUT FANS ARE NOT SPINNING	<ul style="list-style-type: none"> <li>- Loose or broken coupling (belt drive)</li> <li>- Loose set screws on wheel hubs</li> <li>- Fan spinning inside fan housing</li> <li>- Broken fan hub</li> </ul>	<ul style="list-style-type: none"> <li>- Replace or tighten coupling</li> <li>- Tighten set screws on motor shaft flats</li> <li>- Tighten fan on shaft or replace fan</li> <li>- Replace fan wheels</li> </ul>
ELECTRICAL CONTROLS NOT WORKING WHEN DOOR IS OPEN	<ul style="list-style-type: none"> <li>- Switch is in off position</li> <li>- Door limit switch is not operating</li> </ul>	<ul style="list-style-type: none"> <li>- Turn unit's switch to the on position</li> <li>- Repair or replace door limit switch</li> </ul>
UNIT WILL NOT TURN OFF	<ul style="list-style-type: none"> <li>- Door limit switch is permanently closed or energized</li> </ul>	<ul style="list-style-type: none"> <li>- Position the door switch in a manner that turns off the unit when the door closes and turns on the unit when the door opens. Only light pressure required.</li> </ul>
LOW AIR FLOW	<ul style="list-style-type: none"> <li>- Discharge air vanes out of adjustment</li> <li>- Obstruction on intake or discharge</li> <li>- Power leads out of polarity</li> <li>- Blower motor rotating below normal speed</li> <li>- Fan rubbing against housing</li> <li>- Blower wheels clogged with dirt</li> </ul>	<ul style="list-style-type: none"> <li>- Adjust vanes to proper position (Refer to Start-Up Section in this manual)</li> <li>- Remove obstruction or move air curtain</li> <li>- Switch power leads to correct polarity (3 phase models only)</li> <li>- Apply proper voltage per unit requirement (see unit label) / Adjust adjustable motor speed knob (if applicable)</li> <li>- Free fan from housing</li> <li>- Clean and remove dirt from blower wheels</li> </ul>
EXCESSIVE AIR VELOCITY AT DOOR OPENING	<ul style="list-style-type: none"> <li>- Nozzle out of adjustment and not angled far out enough (BD only)</li> <li>- Air temperature too cold</li> <li>- Air stream pushing air outside of the building</li> </ul>	<ul style="list-style-type: none"> <li>- Adjust nozzle angle to outside</li> <li>- Add auxiliary heat to overcome wind chill</li> <li>- Adjust discharge angle back into building</li> </ul>
AIR NOT HITTING THE FLOOR	<ul style="list-style-type: none"> <li>- Low air velocity</li> <li>- Obstruction in the direction of air flow</li> <li>- Negative building pressure</li> </ul>	<ul style="list-style-type: none"> <li>- Adjust vanes to proper position or check installation height (Refer to Start-Up Section in this manual)</li> <li>- Remove obstruction or move air curtain (Move out 3/8" for every 1" up from the door)</li> <li>- Provide a make-up air system to relieve negative building pressure</li> </ul>
UNEVEN AIR	<ul style="list-style-type: none"> <li>- Shaft rotating inside fan</li> <li>- One motor not functioning</li> </ul>	<ul style="list-style-type: none"> <li>- Replace fan or tighten fan on shaft</li> <li>- Replace or repair motor</li> </ul>
EXCESSIVE NOISE AND OR VIBRATION	<ul style="list-style-type: none"> <li>- Loose or broken coupling (belt drive)</li> <li>- Loose set screws on wheel hubs</li> <li>- Fan spinning inside fan housing</li> <li>- Broken fan hub</li> <li>- Bearing end caps worn</li> <li>- Damaged blower wheel</li> <li>- Bearing end caps worn</li> <li>- Pillow block bearings make noise</li> <li>- Balancing clips missing</li> </ul>	<ul style="list-style-type: none"> <li>- Replace or tighten coupling</li> <li>- Tighten set screws on motor shaft flats</li> <li>- Tighten fan on shaft or replace fan</li> <li>- Replace fan wheels</li> <li>- Replace Bearing end caps</li> <li>- Replace Blower Wheel</li> <li>- Replace Bearing end caps</li> <li>- Grease Bearing</li> <li>- Replace Blower Wheel</li> </ul>



# TROUBLESHOOTING MOTOR

To determine if the motor is in good operating condition, compare measured motor resistance at the motor terminals to the values shown below.

MARS MOTOR RESISTANCE READINGS												
Single Phase Motors												
 atmosphere is everything										MOTOR WIRES OR TERMINAL (T) OHM READINGS		
										HIGH SPEED (1750)	MEDIUM SPEED (1650)	LOW SPEED (1450)
Applicable Air Curtain Series	Mars Part #	Manufacturer Part #	Brand	Motor Rating	HP	Voltage	Phase	Capacitor Rating	Motor Frame	Black Motor Wire & White Motor Wire	-	-
LPV2, LPN2	03-001	7190-1682	Fasco	Nema 1	1/6	115	1	5 µF 370Vac	-	11.5	-	-
	03-002	7190-1903	Fasco	Nema 1	1/6	115	1	5 µF 370Vac	-	8.4	-	-
	03-003	7190-1825	Fasco	Nema 1	1/6	230	1	4 µF 440Vac	-	64	-	-
	03-004	7190-1904	Fasco	Nema 1	1/6	230	1	6 µF 370Vac	-	44.6	-	-
	03-124	7190-3307	Fasco	Nema 1	1/6	115/230	1	10 µF 370Vac	-	8.2/36	-	-
	03-124	K33NVDHJ-1446	US	Nema 1	1/6	115/230	1	10 µF 370Vac	-	8.1/32	-	-
Applicable Air Curtain Series	Mars Part #	Manufacturer Part #	Brand	Motor Rating	HP	Voltage	Phase	Capacitor Rating	Motor Frame	White Motor Wire (T1) & Black Motor Wire (T3)	White Motor Wire (T1) & Black Motor Wire (T5)	White Motor Wire (T1) & Black Motor Wire (T2)
STD2, N2, PH10, QP10	03-010	34G928X169	Baldor	Washdown (IP54)	1/2	115	1	-	56Z	1.2	-	-
	03-010	34G928X169	Baldor	Washdown (IP54)	1/2	208/230	1	-	56Z	4.6	-	-
	03-005	7124-1175	Genteq	Nema 1	1/2	115	1	7.5 µF 370Vac	48	2.6	3.8	5.2
	03-006	7124-1560	Genteq	Nema 1	1/2	208/230	1	10 µF 370Vac	48	9.9	15.9	22.5
	03-007	48517T439	Marathon	Nema 1	1/2	277	1	-	48Z	7.7	-	-
	03-005	K055PWM1736C13H	Nidec	Nema 1	1/2	115	1	10 µF 370Vac	48Y	2.1	3.7	5.2
	03-005	K055PWM1736C13H	US	Nema 1	1/2	115	1	10 µF 370Vac	48Y	5.3	3.7	5.4
	03-006	K55HXPNA-2845	US	Nema 1	1/2	208/230	1	10 µF 370Vac	48Y	8.7	18.2	24.2
Applicable Air Curtain Series	Mars Part #	Manufacturer Part #	Brand	Motor Rating	HP	Voltage	Phase	Capacitor Rating	Motor Frame	White Motor Wire (T1) & Black Motor Wire (T2)	White Motor Wire (T1) & Black Motor Wire (T3)	-
HV2, NH2, PH12	03-021	35T276R025G1	Baldor	Washdown (IP54)	1	115	1	-	56Z	0.7	-	-
	03-015-Baldor	35M316S174	Baldor	Nema 1	1	115	1	-	56Z	0.6	-	-
	03-015-Baldor	35M316S174	Baldor	Nema 1	1	208/230	1	-	56Z	2.2	-	-
	03-021	35T276R025G1	Baldor	Washdown (IP54)	1	208/230	1	-	56Z	2.8	-	-
	03-014	7124-0985	Genteq	Nema 1	1	115	1	50 µF 370Vac	56	1.6	2.4	-
	03-015	7124-1096	Genteq	Nema 1	1	208/230	1	30 µF 370Vac	56	6.5	9.2	-
	03-015	-	Nidec	Nema 1	1	208/230	1	20 µF 370Vac	48Y	4.3	6.5	-
	03-014	K55BWJZB-2362	US	Nema 1	1	115	1	20 µF 370Vac	48Y	1	2.1	-
	03-015	-	US	Nema 1	1	208/230	1	20 µF 370Vac	48Y	3.2	6.3	-
Three Phase Motors												
Applicable Air Curtain Series	Mars Part #	Manufacturer Part #	Brand	Motor Rating	HP	Voltage	Phase	Motor Frame	LEAD WIRE OHM READINGS			
									Black Motor Wire (L1) & Red Motor Wire (L2)	Black Motor Wire (L1) & White Motor Wire (L3)	Red Motor Wire (L2) & White Motor Wire (L3)	
STD2, N2, PH10, QP10	03-008	P55YDHB-1527	US	Nema 1	1/2	208-230	3	48	16.1	16.1	16.1	
	03-008	P55YDHB-1527	US	Nema 1	1/2	460	3	48	63.6	63.6	63.6	
	03-009	48T17T135	Marathon	Nema 1	1/2	575	3	48	136	136	136	
HV2, NH2, PH12	03-017	56T17T5541	Marathon	Nema 1	1	208-230	3	56Z	4.3	4.3	4.3	
	03-017	56T17T5541	Marathon	Nema 1	1	460	3	56Z	16.5	16.5	16.5	
	03-018	56T17T5544	Marathon	Nema 1	1	575	3	56Z	26.6	26.6	26.6	
	03-022	35N127S902	Baldor	Washdown (IP54)	1	208-230	3	56Z	5.1	5.1	5.1	
	03-022	35N127S902	Baldor	Washdown (IP54)	1	460	3	56Z	19.8	19.8	19.8	
EP2	03-026	165716	Century	Nema 1	3	208-230	3	U56Y	1.5	1.5	1.5	
	03-026	165716	Century	Nema 1	3	460	3	U56Y	5.7	5.7	5.7	
	03-026	P63TYFMJ-1687	US	Nema 1	3	208-230	3	56HZ	1.2	1.2	1.2	
	03-026	P63TYFMJ-1687	US	Nema 1	3	460	3	56HZ	4.4	4.4	4.4	
	03-028	35E92Y26	Baldor	Nema 1	3	575	3	56Z	9.2	9.2	9.2	
WMI	03-110	36H110-2211G1	Baldor	Nema 1	1,2,3	208-230	3	184Z	3.5	3.5	3.5	
	03-110	36H110-2211G1	Baldor	Nema 1	1,2,3	460	3	184Z	13.5	13.5	13.5	
WMH	03-055	37F932W828G1	Baldor	Nema 1	5	230	3	215YZ	0.7	0.7	0.7	
	03-055	37F932W828G1	Baldor	Nema 1	5	460	3	215YZ	2.4	2.4	2.4	
	03-046	37F909X889G1	Baldor	Nema 1	7	230	3	215YZ	0.6	0.6	0.6	
	03-046	37F909X889G1	Baldor	Nema 1	7	460	3	215YZ	1.6	1.6	1.6	
BD	03-033	U639A - 215TTF6027	Marathon	Nema 1	10	208-230	3	215T	0.4	0.4	0.4	
	03-033	U639A - 215TTF6027	Marathon	Nema 1	10	460	3	215T	1.2	1.2	1.2	
	03-074	GT1128A 170118.60	Marathon	Nema 1	25	575	3	284TS	0.5	0.5	0.5	

## WARRANTY

Mars' warranty coverage, period, extent, and limitations apply to the product only. It does not apply to labor. Mars warrants that the Mars product 1) is free from defects in materials and workmanship, and 2) conforms to Mars' published specifications. The warranty period for Mars products (except for heated models, custom models, or WMI, WMH and BD models) is a five (5) year period commencing on the date of shipment. The warranty for heated models is an eighteen (18) month period, the warranty for custom models and for accessories is a twelve (12) month period, and the warranty for WMI, WMH, and BD models is a twelve (12) month period. The date on the customer's invoice is the date of shipment unless Mars or your reseller informs you and Mars otherwise. Mars will provide free replacement of any part that fails as a result of a defect in material or manufacturer's workmanship. Changes in operational specification parameters that differ from those provided on the original purchase order are not covered. Mars products are inspected and tested before packaging and are shipped in working condition. The warranty for Mars products only covers free-of-charge replacement of failed parts. The warranty does not cover labor and transportation expenses that may be required to deliver and to install replacement parts. Because in many instances it is impossible to determine the cause of failure, the customer may be responsible for transportation charges associated with replacement of failed part. Mars does not warrant uninterrupted or error-free operation of Mars product. Under no circumstance is Mars liable for any of the following: 1) third-party claims against you for damages, 2) special, incidental, or indirect damages, or 3) any economic consequential damages (including lost profits and savings), regardless of whether Mars, its suppliers, or its resellers were informed of the possibility of damages. The warranty does not cover repair or exchange of Mars products resulting from misuse, accidental damage, modification, unsuitable physical or operating environment, improper maintenance or installation by customer, or failure caused by a product for which Mars is not responsible. The warranty does not cover damages caused by mishandling during transportation. The warranty is voided by removal or alteration of Mars product or parts identification labels, and by improper installation of product and resulting non-compliance with federal, state, and local codes and regulations. Additionally, Mars reserves the right to void the warranty for non-payment of invoice.

**CONTACT FACTORY FOR COMPLETE PARTS LIST FOR ALL MODELS.**

**KEEP THIS MANUAL FOR YOUR RECORDS.**

**Model Number:** \_\_\_\_\_

**Serial Number:** \_\_\_\_\_

**Date Purchased:** \_\_\_\_\_

**Dealer Purchased From:** \_\_\_\_\_



atmosphere is everything

**14716 S. Broadway St., Gardena, CA 90248**

**(310) 532-1555 • (800) 421-1266**

**Fax: (310) 324-3030**

**Please go to our website at [www.marsair.com](http://www.marsair.com) for a downloadable version of this document.**



atmosphere is everything

SECTION 23 34 33

AIR CURTAINS

*Important Note: This specification contains hidden text appearing in red. To show or remove hidden text in MSWord, click the "File" tab or "Office" icon on the top-left corner, select "Options," select "Display," and check or uncheck the box marked "Hidden Text."*

## PART 1 GENERAL

### 1.1 SECTION INCLUDES

- A. Air curtains for pedestrian entrances.
- B. Air curtains for vehicular entrances.
- C. Air curtains for large loading dock doors.

### 1.2 RELATED SECTIONS

- A. Section 05 50 00 – Metal Fabrications: Concealed steel support members.
- B. Section 06 10 00 – Rough Carpentry.
- C. Section 05 41 00 – Structural Metal Studs.
- D. Section 07 62 00 – Sheet metal flashing.
- E. Section 07 92 00 – Joint Sealants.
- F. Section 08 10 00 – Metal Doors and Frames.
- G. Section 08 33 00 – Overhead Coiling Doors.
- H. Section 08 42 00 – Entrance Doors.
- I. Section 22 10 00 – Plumbing Piping:
- J. Section 23 21 00 – Hydronic Piping: Hot water heating piping to units.

- K. Section 23 22 13- Steam and Condensate Piping: Steam heating piping to units.
- L. Section 26 05 00 – Equipment Wiring: Connections to building power distribution.

### 1.3 REFERENCES

- A. ASTM A240 / A240M -10 – Standard Specification for Chromium and Chromium.
- B. ASTM A591 / A591M -98 – Standard Specification for Steel Sheet, Electrolytic Zinc-Coated, for Light Coating Weight (Mass) Application (Withdrawn in 2005, replaced by A879/A879M).
- C. ASTM A879 / A879M -06 – Standard Specification for Steel Sheet, Zinc Coated by the Electrolytic Process for Application Requiring Designation of the Coating Mass on Each Surface.
- D. ASTM A653 / A653M -09a – Standard Specification for Steel Sheet, Zinc Coated (Galvanized) or Zinc-Iron Alloy-Coated (Galvannealed) by the Hot-Dip Process.
- E. AHRI 410-2001 – Standard for Forced-Circulation Air-cooling and Air-Heating Coils.
- F. NSF/ANSI 37 – Air Curtains for entranceways in food and food service establishments – ETL Sanitation.
- G. CRN – Canadian Registration Number Coil.
- H. ANSI Z223-NFPA 54 – National Fuel Gas Code/
- I. NEC – National Electric Code.

### 1.4 SUBMITTALS

- A. Submit under provisions of Section 01 33 00.
- B. Product Data: Manufacturer's data sheets on each product to be used, including:
  - 1. Preparation instructions and recommendations.
  - 2. Storage and handling requirements and recommendations.
  - 3. Installation methods.
- C. Shop Drawings: Include plans, elevations, sections, and details, indicating dimensions, tolerances, materials, fasteners, hardware, finish, piping, electrical wiring diagrams, options, and accessories.
- D. LEED Submittals: Provide documentation of how the requirements of Credit will be met:
  - 1. List of proposed materials with recycled content. Indicate post-consumer recycled content and pre-consumer recycled content for each product having recycled content.

2. Product data and certification letter indicating percentages by weight of post-consumer and pre-consumer recycled content for products having recycled content.
- E. Selection Samples: For each finish product specified, two complete sets of color chips representing manufacturer's full range of available colors and patterns.
- F. Verification Samples: For each finish product specified, two samples, minimum size 6.25 inches (160 mm) square, representing actual product, color, and patterns.
- G. Manufacturer's Certificates: Certify products meet or exceed specified requirements.
- H. Operation and Maintenance Manual: Submit manufacturer's operation and maintenance manual, including operation, maintenance, adjustment, and cleaning instructions, troubleshooting guide, parts list, and electrical wiring diagrams.

#### 1.5 QUALITY ASSURANCE

- A. Manufacturer Qualifications: Minimum ten years documented experience producing the products specified in this Section
- B. Installer Qualifications: Minimum five years documented experience installing products specified in this Section

#### 1.6 DELIVERY, STORAGE, AND HANDLING

- A. Store products in manufacturer's unopened packaging until ready for installation.
- B. Store in a dry, heated storage area until installation of products.
- C. Protect materials and finish from damage during handling and installation.

#### 1.7 SEQUENCING

- A. Ensure that locating templates and other information required for installation of products of this section are furnished to affected trades in time to prevent interruption of construction progress.
- B. Coordinate the installation of wiring and control switches for air curtains with the openings and the hardware provided for such openings.
- C. Install after doors, walls, ceilings, and other adjacent surfaces are finished and painted.

#### 1.8 WARRANTY

- A. Standard five-year limited parts warranty for unheated units against defects in workmanship and material.

- B. Standard 18-month limited parts warranty for heated units against defects in workmanship and materials.

## PART 2 PRODUCTS

### 2.1 MANUFACTURER

- A. Acceptable Manufacturer: Mars Air Systems, LLC; 14716 South Broadway St., Gardena, CA 90248. Tel: (310) 532-1555 or (800) 421-1266. Fax: (310) 324-3030. Email: info@marsair.com. Web: www.marsair.com.
- B. Delete one of the following two paragraphs: coordinate with requirements of Division 1 section on product options and substitutions.
- C. Requests for substitutions will be considered in accordance with provisions of Section 01 33 00.

### 2.2 AIR CURTAIN ASSEMBLIES

- A. Motor Fan Assembly: Design for easy removal, assembly, repair, and maintenance.
  - 1. Motor: Totally enclosed air over (TEAO) cooled motor with sealed lifetime pre-lubricated ball bearings, motor starter and thermal overload protection.
    - a. Wired for single speed operation.
    - b. Wired for two speed operation.
    - c. Provide wash down type motors, NEC IP-54 for the locations indicated.
    - d. Provide explosion proof type motors, NEC Class 1, Division 1, Group D for the locations indicated.
    - e. Electrical Characteristics: 115V AC, single phase; 9.0 Amp full load per motor/fan.
    - f. Electrical Characteristics: 208/230V AC, single phase; 5.0 Amp full load per motor/fan.
    - g. Electrical Characteristics: 208/230V AC, three-phase; 3.3/3.2 Amp full load per motor/fan.
    - h. Electrical Characteristics: 460V AC, three-phase; 1.6 Amp full load per motor/fan.
    - i. Electrical Characteristics: 575V AC, three-phase; 1.3 Amp full load per motor/fan.
    - j. Meets NEC. ETL Listed to conform to UL 507 (US) and CSA22.2 (Canada) Standards. AMCA 211 Certified.
  - 2. Fans: Forward curved centrifugal type, double width, and double inlet design, directly driven to an electric motor.
    - a. Provide resilient isolation dampening mountings between motor frame and motor mounting pan
    - b. Factory balanced blower wheel assembly statically and dynamically.
- B. Housing: Self-contained one-piece type with sufficient strength for mounting from pre-punched mounting holes at both ends to adjacent walls or ceiling without intermediate support.

1. Size:
    - a. Unheated: 15-5/8 inches deep by 14 inches high (including discharge nozzle) by width of unit.
    - b. Electric Heated: 21-3/8 inches deep by 14 inches high (including discharge nozzle) by width of unit.
    - c. Hot Water/Steam Heated: 21-3/8 inches deep by 14 inches high (including discharge nozzle) by width of unit plus 10 inches for manifolds.
    - d. Indirect Fired Gas Heated: 68 1/8 inches deep by 34 inches high (including discharge nozzle) by width of unit.
  2. Mounting:
    - a. Unheated Inside Mount.
    - b. Heated Inside Mount.
    - c. Unheated Outside Mount.
    - d. Mount Location Indicated.
  3. Material:
    - a. Provide 18- and 20-gauge electro or hot dipped galvanized steel sheet housing conforming to ASTM A 591 and/or ASTM A 653.
    - b. Provide type 304 stainless steel housing with brushed finish. ASTM A 240/A 240M.
  4. Air Inlet Grille and/or Filters: Provide air inlet grille and/or filters specified.
  5. Discharge: Provide integral discharge nozzle specified.
  6. Finish and Color: Provide with, no VOC, corrosion resistant polyurethane powder coated finish for sheet metal housings.
    - a. Titanium Silver
    - b. Obsidian Black.
    - c. Pearl White.
    - d. Stainless Steel.
- C. Environmental Air Curtains: Models for Heights up to 14 feet (4267 mm) for Environmental Separation and Temperature Control and up to 12 feet (3656 mm) for Flying Insect Control.
1. Discharge Nozzle: Adjustable air foil vanes with a plus/minus 40-degree sweep front to back.
  2. Air Velocity at Nozzle:
    - a. HV236-1: 36 Inch (915 mm) Wide Units: 2745 feet/min (13.9 m/s) single 1HP motor/fan assembly.
    - b. HV242-1: 42 Inch (1065 mm) Wide Units: 2654 feet/min (13.5 m/s) single 1HP motor/fan assembly.
    - c. HV248-1: 48 Inch (1220 mm) Wide Units: 2447 feet/min (12.4 m/s) single 1HP motor/fan assembly.
    - d. HV260-1: 60 Inch (1524 mm) Wide Units: 2208 feet/min (11.2 m/s) single 1HP motor/fan assembly.
    - e. HV272-2: 72 Inch (1830 mm) Wide Units: 2745 feet/min (13.9 m/s) two 1HP motor/fan assemblies.
    - f. HV284-2: 84 Inch (2133 mm) Wide Units: 2654 feet/min (13.5 m/s) two 1HP motor/fan assemblies.

- g. HV296-2: 96 Inch (2440 mm) Wide Units: 2447 feet/min (12.4 m/s) two 1HP motor/fan assemblies.
  - h. HV2108-3: 108 Inch (2743 mm) Wide Units: 2745 feet/min (13.9 m/s) two 1HP motor/fan assemblies.
  - i. HV2120-2: 120 Inch (3050 mm) Wide Units: 2208 feet/min (11.2 m/s) two 1HP motor/fan assemblies.
  - j. HV2120-3: 120 Inch (3050 mm) Wide Units: 2678 feet/min (13.6 m/s) three 1HP motor/fan assemblies.
  - k. HV2144-3: 144 Inch (3660 mm) Wide Units: 2447 feet/min (12.4 m/s) three 1HP motor/fan assemblies.
3. Air Inlet Grille and Filters:
- a. Location: Front.
  - b. Type: Fixed air intake grille.
    - 1) Filter: Aluminum mesh, 1/4 inch (6.4 mm), washable.
  - c. Type: Filter Only as follows:
    - 1) Filter: Flat bank 1-inch, disposable.
    - 2) Filter: Flat bank 2-inch, disposable.
    - 3) Filter: Aluminum mesh, 1/4 inch (6.4 mm), washable.
  - d. Speed: 4000 cu ft/min (1888 L/s), minimum, per motor/fan assembly.
4. Sound Pressure Level At 10 feet (3 m) From Nozzle:
- a. Single Motor/Fan Units: 70 dBA.
  - b. Two Motor/Fan Units: 73 dBA.
  - c. Three Motor/Fan Units: 75 dBA.
  - d. Four Motor/Fan Units: 75 dBA.
- D. Insect Control Air Curtains: Models for Service Entry Heights to 7 feet (2134 mm) certified to NSF/ANSI Standard 37.
- 1. Discharge Nozzle: Wedge-shaped discharge outlet nozzle with adjustable air foil vanes with a plus/minus 40-degree sweep front to back.
  - 2. Air Velocity at Nozzle:
    - a. NH236-1: 36 Inch (915 mm) Wide Units: 2745 feet/min (13.9 m/s) single 1HP motor/fan assembly.
    - b. NH242-1: 42 Inch (1065 mm) Wide Units: 2654 feet/min (13.5 m/s) single 1HP motor/fan assembly.
    - c. NH248-1: 48 Inch (1220 mm) Wide Units: 2447 feet/min (12.4 m/s) single 1HP motor/fan assembly.
    - d. NH260-1: 60 Inch (1524 mm) Wide Units: 2208 feet/min (11.2 m/s) single 1HP motor/fan assembly.
    - e. NH272-2: 72 Inch (1830 mm) Wide Units: 2745 feet/min (13.9 m/s) single 1HP motor/fan assembly.
    - f. NH284-2: 84 Inch (2133 mm) Wide Units: 2654 feet/min (13.5 m/s) single 1HP motor/fan assembly.
    - g. NH296-2: 96 Inch (2440 mm) Wide Units: 2447 feet/min (12.4 m/s) single 1HP motor/fan assembly.
    - h. NH2108-3: 108 Inch (2743 mm) Wide Units: 2745 feet/min (13.9 m/s) single 1HP motor/fan assembly.
    - i. NH2120-2: 120 Inch (3050 mm) Wide Units: 2208 feet/min (11.2 m/s) single 1HP motor/fan assembly.



- j. NH2120-3: 120 Inch (3050 mm) Wide Units: 2678 feet/min (13.6 m/s) single 1HP motor/fan assembly.
- k. NH2144-3: 14 Inch (3660 mm) Wide Units: 2447 feet/min (12.4 m/s) single 1HP motor/fan assembly,
- 3. Air Speed at Floor:
  - a. Service entry doors require a minimum of 1600 fpm (8.13 m/s) at 3 feet (914 mm) from floor.
- 4. Air Inlet Grille and Filters:
  - a. Location: Front.
  - b. Speed: 4000 cu ft/min (1888 L/s), minimum, per motor/fan assembly.
  - c. Type: Fixed air intake grille.
- 5. Sound Pressure Level At 10 feet (3 m) From Nozzle:
  - a. Single Motor/Fan Units: 70 dBA.

## 2.3 COMPONENTS

- A. Electric Heaters: Provide complete with motor control panel factory mounted to air curtain housing, and thermostat to be field installed.
  - 1. Temperature limit controller.
  - 2. Thermostat: Wall-mounted, 24-Volt operation, with heater on/off selection.
  - 3. Heating Coils: Electrical components UL/CUL listed.
- B. Steam Heaters: Provide finned tube steam coils for field mounting on air intake side of the air curtain cabinet with opposite end connections.
  - 1. Output: Air curtain manufacturer's standard, one-row coils.
  - 2. Output: Air curtain manufacturer's standard, two-row coils.
  - 3. Coils: Certified in accordance with AHRI 410.
  - 4. Connections: Opposite end.
  - 5. Connections: Same end, right hand.
  - 6. Connections: Same end, left hand.
  - 7. Casing: One-piece unpainted galvanized steel, bolted to air curtain housing.
  - 8. Supply and return fittings on ends of casing.
  - 9. Steam Distributing coil required for 8 feet and above for same end coils. Dual supply, Single returns.
  - 10. Thermostat: Wall-mounted, 110-Volt operation, with heater on/off selection.
  - 11. Thermostat: Wall-mounted, 208/230-Volt operation, with heater on/off selection.
- C. Hot Water Heaters: Provide finned tube water coils for field mounting on air intake side of the air curtain cabinet with opposite end connections.
  - 1. Output: Air curtain manufacturer's standard, one-row coils.
  - 2. Output: Air curtain manufacturer's standard, two-row coils.
  - 3. Coils: Certified in accordance with AHRI 410.
  - 4. Connections: Opposite end.
  - 5. Connections: Same end, right hand.
  - 6. Connections: Same end, left hand.
  - 7. Casing: One-piece unpainted galvanized steel, bolted to air curtain housing.
  - 8. Supply and return fittings on ends of casing.
  - 9. Thermostat: Wall-mounted, 110-Volt operation, with heater on/off selection.
  - 10. Thermostat: Wall-mounted, 208/230-Volt operation, with heater on/off selection.

- D. Gas Heaters: Provide field mounted indirect natural gas fired, power vented duct furnace, with aluminized steel heat exchanger and die-formed stainless steel insert burners; manifolds, orifices, flame sensor, and igniter easily removable as an assembly.
1. Output: Air curtain manufacturer's standard.
  2. Complies with:
    - a. Canadian Standards Association (CSA) labeled for US and Canadian application.
    - b. ANSI Z223/NFPA 54 National Fuel Gas Code.
    - c. CAN/CGA B149.1 Installation Codes for Natural Gas Burning Appliances and Equipment.
  3. Fuel Type: Provide orifices for:
    - a. Natural gas.
    - b. LP.
  4. 24 V control voltage transformer.
  5. Combination single-stage gas control system with regulated combination redundant gas valve and intermittent spark pilot with electronic flame supervision.
  6. Optional 2 stage.
  7. Optional Modulation Gas.
  8. Limit and safety controls.
  9. Thermostat: Wall-mounted, 24-Volt operation, with heater on/off selection.
- E. Motor Control Panels for Unheated Units: Recommended for all three-phase units and single-phase units with combined motor capacities of more than 1 HP whenever a door limit switch is used to automatically start and stop the air curtain. Provide motor control panels as follows:
1. Mounting: Shipped loose to be field mounted.
  2. Mounting: Factory mounted on right hand side of air curtain housing.
  3. Mounting: Factory mounted on left hand side of air curtain housing.
  4. Electrical components UL/CUL listed.
  5. Optional Digital Programmable Controller:
    - a. WiFi enabled controller for wireless interface with field supplied smartphone, tablet or computer
    - b. No download or app required for wireless interface
    - c. Wireless control range up to minimum of 50 feet from controller
    - d. Fully factory assembled and wired inside the air curtain for easy field installation
    - e. Optional remote mounted high resolution 7" Color LCD Display with resistive touchscreen technology
    - f. Fully programmable controller
    - g. Pre-set and fully customizable programs
    - h. Time delay (Passive & Adaptive)
    - i. 24/7/365 timer
    - j. Maintenance schedule alerts
    - k. Password protected
    - l. Low voltage control signal for door activation
    - m. Multispeed fan control
    - n. Optional VFD compatible with 0-10VDC output

- o. Optional Integrated BMS controls
  - p. Optional BACnet MS/TP
  - q. Optional BACnet IP
  - r. Optional adaptive fan speed control based on existing field conditions. Field mounted outdoor temperature sensors required.
- F. Motor Control Panels for Electric Heated Units: Motor Control Panel is included for all electric heated units. Thermostat is provided for field installation. Provide motor control panels as follows:
- 1. Mounting: Factory mounted on the inside of air curtain housing.
  - 2. Mounting: Factory mounted on right hand side of air curtain housing
  - 3. Mounting: Factory mounted on left hand side of air curtain housing.
  - 4. Electrical components UL/CUL listed.
  - 5. Optional Digital Programmable Controller:
    - a. WiFi enabled controller for wireless interface with field supplied smartphone, tablet or computer
    - b. No download or app required for wireless interface
    - c. Wireless control range up to minimum of 50 feet from controller
    - d. Fully factory assembled and wired inside the air curtain for easy field installation
    - e. Optional remote mounted high resolution 7" Color LCD Display with resistive touchscreen technology
    - f. Fully programmable controller
    - g. Pre-set and fully customizable programs
    - h. Time delay (Passive & Adaptive)
    - i. Factory Integrated temperature control sensors. No external thermostat required.
    - j. Heat on Demand Mode to regulate the space temperature
    - k. Summer-Winter modes
    - l. 24/7/365 timer
    - m. Maintenance schedule alerts
    - n. Password protected
    - o. High temperature lock from fan failure
    - p. Low voltage control signal for door activation
    - q. Multispeed fan control
    - r. Optional VFD compatible with 0-10VDC output
    - s. Optional Integrated BMS controls
    - t. Optional BACnet MS/TP
    - u. Optional BACnet IP
    - v. Optional adaptive fan speed control and heat control based on existing field conditions. Field mounted outdoor temperature sensors required.
- G. Motor Control Panels for Hot Water and Steam Heated Units: Recommended for all three-phase units and single phase units with combined motor capacities of more than 1HP whenever a door limit switch is used to automatically start and stop the air curtain. Provide motor control panels as follows:
- 1. Mounting: Shipped loose to be field mounted.
  - 2. Mounting: Factory mounted on right hand side of air curtain housing.

3. Mounting: Factory mounted on left hand side of air curtain housing.
  4. Provide with remote mount thermostat for field installation.
  5. Electrical components UL/CUL listed.
  6. Panels UL 508A listed.
  7. Optional Digital Programmable Controller:
    - a. WiFi enabled controller for wireless interface with field supplied smartphone, tablet or computer
    - b. No download or app required for wireless interface
    - c. Wireless control range up to minimum of 50 feet from controller
    - d. Fully factory assembled and wired inside the air curtain for easy field installation
    - e. Optional remote mounted high resolution 7" Color LCD Display with resistive touchscreen technology
    - f. Fully programmable controller
    - g. Connect and control via any web browser
    - h. Factory built wireless router with over 50 feet range
    - i. Pre-set and fully customizable programs
    - j. Time delay (Passive & Adaptive)
    - k. Factory Integrated temperature control sensors. No external thermostat required.
    - l. Heat on Demand Mode to regulate the space temperature
    - m. Summer-Winter modes
    - n. 24/7/365 timer
    - o. Maintenance schedule alerts
    - p. Password protected
    - q. High temperature lock from fan failure
    - r. Low voltage control signal for door activation
    - s. Multispeed fan control
    - t. Optional VFD compatible with 0-10VDC output
    - u. Optional Integrated BMS controls
    - v. Optional BACnet MS/TP
    - w. Optional BACnet IP
    - x. Optional adaptive fan speed control and heat control based on existing field conditions. Field mounted outdoor temperature sensors required.
- H. Motor Control Panels for Gas Heated Units: Recommended for all units whenever a door limit switch is used to automatically start and stop the air curtain. Optional motor control panel and thermostat for field installation. Provide motor control panel as follows:
1. Control Panel: Includes increased transformer for power venter(s) with integrated 24-Volt thermostat with furnace and motor controls.
  2. Thermostat: Wall-mounted, 24-Volt operation, with heater on/off selection
  3. Mounting: Shipped loose to be field mounted.
  4. Mounting: Factory mounted on right hand side of air curtain housing.
  5. Mounting: Factory mounted on left hand side of air curtain housing.
  6. Provide with remote mount thermostat for field installation.
  7. Electrical components UL/CUL listed.
  8. Panels UL 508A listed.

- I. Door-Activated Limit switch(s): Provide, field installed 250-Volts, 20 amps limit switch to control air curtain(s) as follows; Automatic on/off control, activates air curtain when door is opened and turns off when door is closed. Provide limit switch for direct control one 1 HP or up to two 1/2 HP single phase motors without a separate control panel. Provide a separate control panel for three-phase motors and/or units exceeding 1 HP, 250-Volts or 20 amps controlled by a limit switch.
  1. Type: Combination plunger/roller switch for swing and sliding doors.
    - a. Provide limit switches with NEMA 1 (20 amps) ratings in locations indicated.
    - b. Provide limit switches with NEMA 4X (10 amps) ratings in locations indicated.
    - c. Provide limit switches with NEMA 4X (15 amps) ratings in locations indicated.
    - d. Provide limit switches with NEMA 7 (10 amps) ratings in locations indicated.
  2. Type: Magnetic reed switch and actuator for swing and sliding doors. Industrial floor mounted or surface mounted switches for roll up doors.
  3. Operation for Unheated Units: Automatic on/off control, on when door is opened, off when door is closed.
  4. Operation for Heated Units: Automatic on when door is opened, off after time delay period after door is closed, maintaining heat in the event door is opened within time delay period. Field adjustable from 1 to 17 minutes.
  5. Operation for Gas Heated Units: Automatic on when door is opened, off after time delay period (60 seconds) after door is closed.
- J. Provide mounting hardware as required for the opening.

### PART 3 EXECUTION

#### 3.1 EXAMINATION

- A. Verify that required utilities are in correct location and are of correct capacities for specified products.
- B. Verify openings to receive air curtains are plumb, level, square, accurately aligned, correctly located, and in tolerance.
- C. Examine surfaces to receive air curtains. If surface preparation is the responsibility of another installer, notify Architect of unsatisfactory preparation before proceeding.

#### 3.2 INSTALLATION

- A. Install air curtains in accordance with approved shop drawings and manufacturer's printed installation instructions.
- B. Install air curtains plumb, level, square, true to line, and weathertight, without warp or rack.

- C. Anchor air curtains securely in place to supports.
- D. Coordinate with sheet metal flashing as specified in Section 07 62 00.
- E. Install joint sealants as specified in Section 07 92 00.
- F. Coordinate with electrical power as specified in Section 26 05 00.
- G. Install door limit switches and adjust for correct operation.
- H. Provide connection to piped services and utilities as specified in Section 22 10 00 and 23 21 00.

### 3.3 FIELD QUALITY CONTROL

- A. Adjust air curtains to function properly.
- B. Adjust air foil vanes located within the discharge nozzle as required for prevailing conditions at each opening.
- C. Check heated air curtain performance on a calm day by measuring air temperature 6 inches off the floor. Optimal reading is halfway between the temperature inside and outside the building.

### 3.4 CLEANING

- A. Clean air curtains promptly after installation in accordance with manufacturer's instructions.
- B. Repair minor damages to finish in accordance with manufacturer's instructions and as approved by Architect.
- C. Remove and replace damaged components that cannot be successfully repaired as determined by Architect.

### 3.5 PROTECTION

- A. Protect materials and finish from damage until substantial completion.

### 3.6 SCHEDULES

- A. Refer to Air Curtain Schedule appended to this section.

END OF SECTION



HV2 Submittal Package

atmosphere is everything

14716 S. BROADWAY, GARDENA, CA 90248 • Ph: (310)532-1555 Fax: (310)-532-3030 • [www.marsair.com](http://www.marsair.com)  
© Copyright Mars Air Systems, LLC 201

## Reference Links

### **Link**

### **Description**

<https://marsair.com/>

Main website

<https://marsair.com/document-library>

Submittals for all Mars Air Curtains,  
Accessories, Installation, and Brochures

<https://www.marsair.com/Content/Downloads/CSISpecs/HV2-NH2-CSI-Specification.doc>

HV2 Series CSI spec (Word doc)