

# EP2 (Extra Power 2) Series

Indirect Gas Fired Heated

Model Lengths: 96"–144"

Environmental Separation (up to 16')

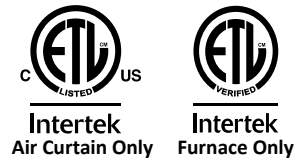
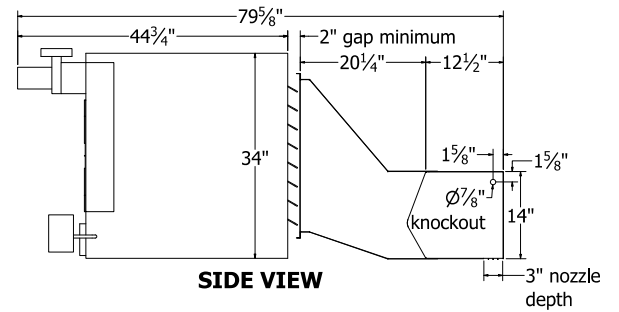
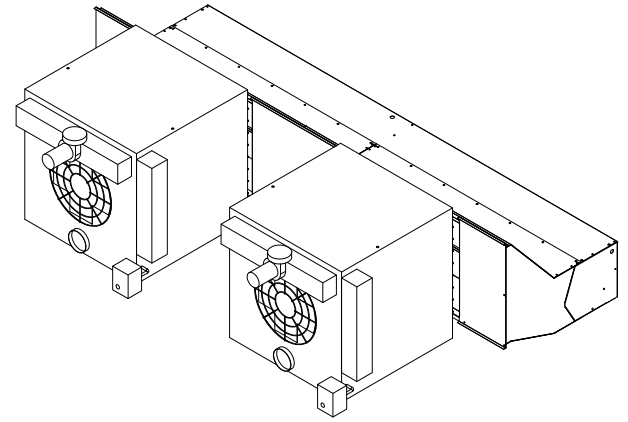
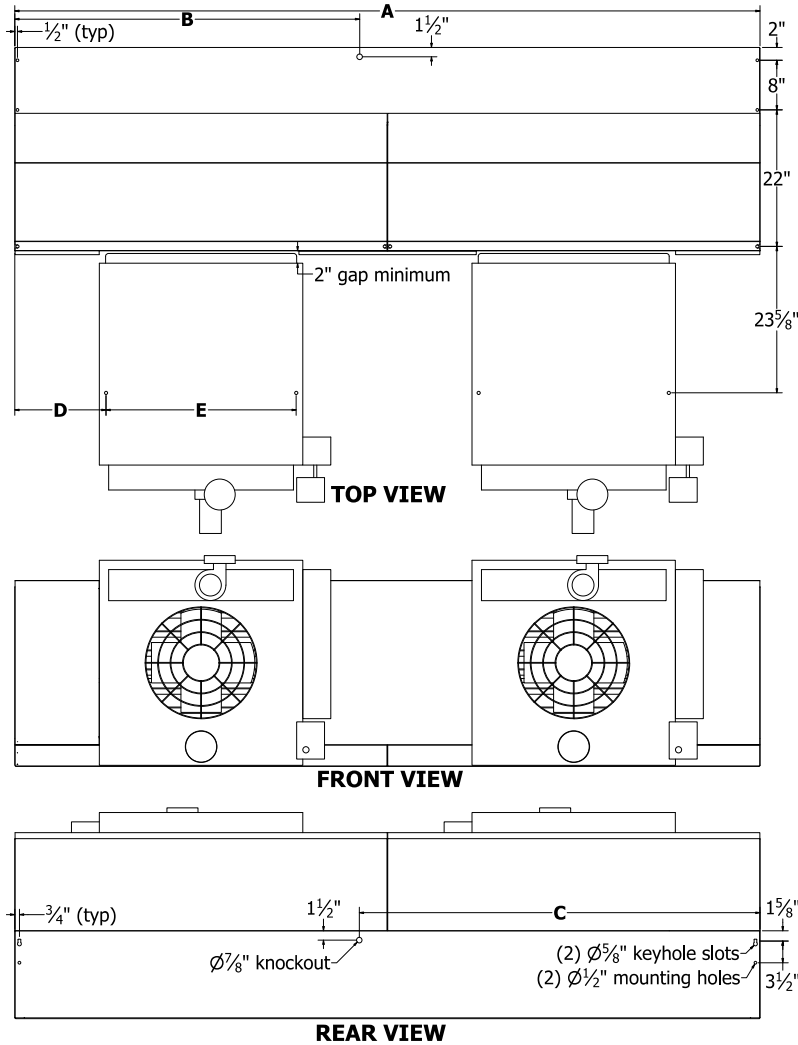
Insect Control (up to 14')



atmosphere is everything

14716 S. BROADWAY, GARDENA, CA 90248 • Ph: (310)532-1555 • Fax: (310)-532-3030 • [www.marsair.com](http://www.marsair.com)

© Copyright Mars Air Systems, LLC 2014



- Notes:**
- Internal junction boxes provided for electrical wiring: (1) 2"x4" box for one-motor units, (1) 4"x4" box for two-motor units, (2) 4"x4" box for three-motor units.
  - Recommended service clearances are 2" to the left and right sides, 24" on top, and 36" in front of the unit.
  - Circuit protection (per NEC) to be installed by others.
  - To prevent accidental damage during operation, unit must be installed so that the bottom of the air curtain does not extend below the door header.
  - Unit can be fastened to wall on both ends without intermediate support.

Model Number	Mechanical Data									Lab Data	
	Overall Length A (in)	Nozzle Length (in)	Top Knockout Location B (in)	Rear Knockout Location C (in)	Furnace Mount Offset D (in)	Furnace Mount Width E (in)	Motor (hp)	Total Weight (lbs)	Furnace Weight (lb)	Max Velocity (fpm)	Avg Velocity (fpm)
EP296-2I*-TS	96	96	43 ½	52 ½	32 ¾	48 ¾	(2) 3	705	339	4800	9600
EP2108-2I*-TS	108	108	31 ½	40 ½	29 ¾	48 ¾	(2) 3	726	339	4200	9600
EP2120-2I*-TS	120	120	55 ½	64 ½	35 ¾	30 ¾	(2) 3	828	(2) 214	3840	9600
EP2120-3I*-TS	120	120	35 ½	44 ½	35 ¾	48 ¾	(3) 3	1105	(2) 311	5760	14400
EP2144-3I*-TS	144	144	43 ½	52 ½	47 ¾	48 ¾	(3) 3	1174	(2) 325	4800	14400

\* – Use corresponding letters in "Electrical Data" column headers (see page 2) to complete the model numbers.

Note: above data is for 60 Hz at 3450 RPM. For 50 Hz, RPM is 2850 with a 17% reduction in performance.

NOTE: Mars Air Systems, LLC reserves the right to change specifications and product design without notice. Such revisions do not entitle the buyer to corresponding changes, improvements, additions, or replacements for previously purchased equipment.

# EP2 (Extra Power 2) Series

Indirect Gas Fired Heated  
 Model Lengths: 96"–144"  
 Environmental Separation (up to 16')  
 Insect Control (up to 14')



atmosphere is everything

14716 S. BROADWAY, GARDENA, CA 90248 • Ph: (310)532-1555 • Fax: (310)-532-3030 • [www.marsair.com](http://www.marsair.com)  
 © Copyright Mars Air Systems, LLC 2014

## Standard Features:

### Air Curtain and Transition

- ❖ Air curtain ETL-certified to conform to UL 507 (US) and CSA 22.2 (Canada) standards for indoor use
- ❖ Sleek self-contained one-piece heavy-gauge corrosion-proof paint lock metal design
- ❖ Rust preventative electrostatic polyurethane powder coating
  - Standard color is Titanium Silver (TS)
- ❖ 3 HP continuous duty Totally Enclosed Air Over (TEAO) motors (NEMA 1)
- ❖ Adjustable air directional vanes with 40° sweep front to back
- ❖ Transition is shipped KD (Knocked Down) to minimize freight and storage expenses
- ❖ Transition pieces are provided with pilot holes for easy field assembly (Hardware included)
- ❖ 12-month parts warranty
- ❖ Freight included (FOB continental USA)
- ❖ Proudly made in the USA

### Indirect Gas Fired Furnaces

- ❖ ETL verified to be 83% efficient
- ❖ In-shot burner technology
- ❖ Aluminized tubular heat exchanger (20 gauge)
- ❖ Positive pressure 120V impellers (separate 115V, 1Ø power required)
- ❖ Power vented exhaust
- ❖ Single stage gas valve
- ❖ Standard direct spark ignition
- ❖ Certified for Category I and III Venting
- ❖ Natural Gas
- ❖ Factory test fired
- ❖ Overhead mounting hardware provided (2 per furnace)

## Mars Recommended Accessories (see [catalog](#) for complete listing):

- ❖ **Door Limit Switches** (\$)
    - 99-125, Industrial surface mounted magnetic switch (controller required)
  - ❖ **Controllers** (\$)
    - MCPD-†I\*-2F, [Motor Control Panel](#), 120V control voltage († = # of Motors, \* = Voltage Code) (\$)
      - MCP-TD, Adjustable time delay, 1sec-100hr (panel required)
  - ❖ **Thermostats** (\$)
    - 99-264, Thermostat, low voltage up to 24V max, single stage, single pole, R, G, W
  - ❖ **Furnace options**
    - IDF-2STG, Two-stage heat exchanger
    - IDF-SS, 409 stainless steel heat exchanger
    - IDF-MOD-RS, Electronic modulating gas valve for room sensor (0-10Vdc/4-20mA control provided by others)
- (§) = Shipped loose

## Sound Levels (measured at 10' in a free field):

2 Motor Unit = 79 dBA, 3 Motor Unit = 81 dBA

Model Number	Indirect Gas Fired Data					
	# of Furnaces	Input MBH per Furnaces	Total Output MBH	Temp Rise (°F)	Flue Size	Natural Gas (NPT) CONN
<input type="checkbox"/> EP296-2I*-TS	1	400	332	32	6" Rnd	3/4"
<input type="checkbox"/> EP2108-3I*-TS	1	400	332	32	6" Rnd	3/4"
<input type="checkbox"/> EP2120-2I*-TS	2	250	415	40	5" Rnd	(2) 1/2"
<input type="checkbox"/> EP2120-3I*-TS	2	300	498	32	6" Rnd	(2) 3/4"
<input type="checkbox"/> EP2144-3I*-TS	2	350	581	37	6" Rnd	(2) 3/4"

\* – Use corresponding letters in "Voltage Code" column headers to complete the model numbers.  
 Gas pressure required min/max in ("wc)(kPa): Natural Gas (3.5/14) (0.9/3.5) and Liquid Propane (10/14) (2.5/3.5)

Electrical Data Full Load Amp (FLA)	Unit Amperage (Voltage Code)			Furnace 115V/1Ø
	208-230V/3Ø (G)	460V/3Ø (H)	575V/3Ø (I)	
<input type="checkbox"/> EP296-2I*-TS	16.6/15.2	7.6	6.0	13.8
<input type="checkbox"/> EP2108-3I*-TS	16.6/15.2	7.6	6.0	13.8
<input type="checkbox"/> EP2120-2I*-TS	16.6/15.2	7.6	6.0	16
<input type="checkbox"/> EP2120-3I*-TS	24.9/22.8	11.4	9.0	23.2
<input type="checkbox"/> EP2144-3I*-TS	24.9/22.8	11.4	9.0	27.6

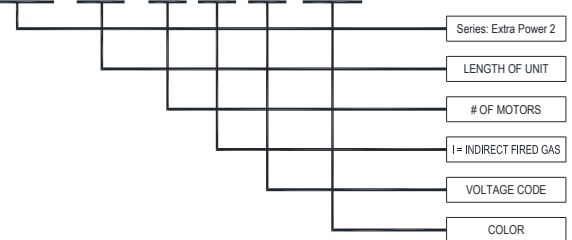
\* – Use corresponding letters in "Voltage Code" column headers to complete the model numbers.

Ampacity (MCA) = total FLA x 1.25

**Alternate voltage codes with FLA data:**  
 -380-415V/3Ø/50Hz (W) – 4.5A per motor

## EXAMPLE

**EP2 144-3 I H - TS**



Intertek  
Air Curtain Only



Intertek  
Furnace Only