

Pressed Frame Aluminum Filters

LPV2, STD2, PH10, HV2, PH12, EP2 Series



atmosphere is everything

14716 S. BROADWAY, GARDENA, CA 90248 • Ph: (310)532-1555 Fax: (310)-532-3030 • www.marsair.com
© Copyright Mars Air Systems, LLC 2014

1/4" Aluminum Filters for Unheated and Heated Models

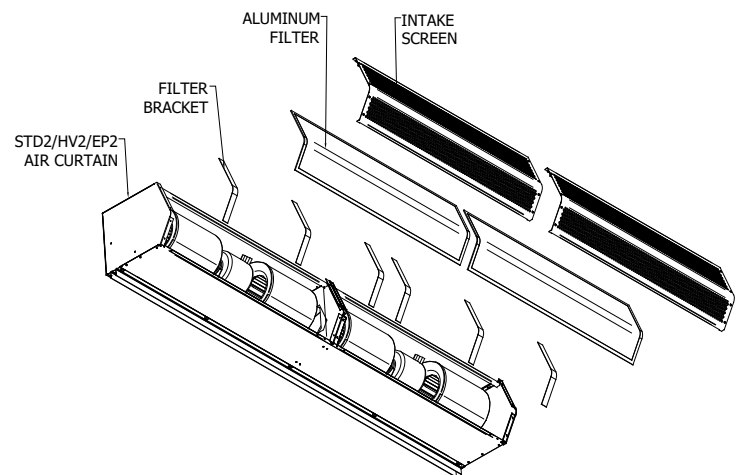
| Applicable Air Curtain Series | Air Curtain Models (Model Width) – (# of Motors) | Filter Kit Part Number | Filter Kit Description |
|-------------------------------|--------------------------------------------------|------------------------|------------------------------------------------------------------------------------------------|
| LPV2 | 25-1 | J0525 | Filter, Kit, Alum, Washable, LP2, 25 Set of 2, (1) 23 7/8 (L)x 7 5/8(H) |
| LPV2 | 36-1 | J0536 | Filter, Kit, Alum, Washable, LP2, 36 Set of 2, (1) 34 7/8 (L)x 7 5/8(H) |
| LPV2 | 42-1 | J0542 | Filter, Kit, Alum, Washable, LP2, 42 Set of 2, (1) 40 7/8 (L)x 7 5/8(H) |
| LPV2 | 48-1 | J0548 | Filter, Kit, Alum, Washable, LP2, 48 Set of 2, (1) 46 7/8 (L)x 7 5/8(H) |
| LPV2 | 60-1 | J0560 | Filter, Kit, Alum, Washable, LP2, 60 Set of 2, (1) 58 7/8 (L)x 7 5/8(H) |
| LPV2 | 72-1 | J0572 | Filter, Kit, Alum, Washable, LP2, 72 Set of 2, (2) 34 7/8 (L)x 7 5/8(H) |
| LPV2 | 84-2 | J0584 | Filter, Kit, Alum, Washable, LP2, 84 Set of 2, (2) 40 7/8 (L)x 7 5/8(H) |
| LPV2 | 96-2 | J0596 | Filter, Kit, Alum, Washable, LP2, 96 Set of 2, (2) 46 7/8 (L)x 7 5/8(H) |
| LPV2 | 108-2 | J05108 | Filter, Kit, Alum, Washable, LP2, 108 Set of 2, (4)29 7/16 & (2) 46 7/8 (L) x 7 5/8(H) |
| LPV2 | 120-2 | J05120 | Filter, Kit, Alum, Washable, LP2, 120 Set of 2, (4) 29 7/16 (L) x 7 5/8(H) |
| LPV2 | 144-2 | J05144 | Filter, Kit, Alum, Washable, LP2, 144 Set of 2, (4) 35 7/16 (L) x 7 5/8(H) |
| QP8 | 25-1 | J2125 | Filter, Kit, Alum, Washable, QP8, 36 Set of 2, (2) 23 3/8 x 11 1/2 |
| STD2, PH10, PH12, QP8 | 36-1 | J2136 | Filter, Kit, Alum, Washable, STD2/PH/QP8, 36 Set of 2, (2) 34 3/8 x 11 1/2 |
| STD2, PH10, PH12, QP8 | 42-1 | J2142 | Filter, Kit, Alum, Washable, STD2/PH/QP8, 42 Set of 2, (2) 40 3/8 x 11 1/2 |
| STD2, PH10, PH12, QP8 | 48-1 | J2148 | Filter, Kit, Alum, Washable, STD2/PH/QP8, 48 Set of 2, (2) 46 3/8 x 11 1/2 |
| STD2, PH10, PH12, QP8 | 60-1, 60-2 | J2160 | Filter, Kit, Alum, Washable, STD2/PH/QP8, 60 Set of 2, (4) 29 3/16 x 11 1/2 |
| STD2, PH10, PH12 | 64-2 | J2164 | Filter, Kit, Alum, Washable, STD2/PH, 64 Set of 2, (4) 31 3/16 x 11 1/2 |
| STD2, PH10, PH12, QP8 | 72-1, 72-2 | J2172 | Filter, Kit, Alum, Washable, STD2/PH/QP8, 72 Set of 2, (4) 34 3/8 x 11 1/2 |
| STD2, PH10, PH12, QP8 | 84-2 | J2184 | Filter, Kit, Alum, Washable, STD2/PH/QP8, 84 Set of 2, (4) 40 3/8 x 11 1/2 |
| STD2, PH10, PH12, QP8 | 96-2 | J2196 | Filter, Kit, Alum, Washable, STD2/PH/QP8, 96 Set of 2, (4) 46 3/8 x 11 1/2 |
| QP8 | 108-2 | J21108 | Filter, Kit, Alum, Washable, QP8, 108 Set of 2, (2) 46 3/8" x 11 1/2" & (4) 29 3/16" x 11 1/2" |
| STD2, PH10, PH12 | 108-2 | J21108-3 | Filter, Kit, Alum, Washable, STD2108-3/PH, 108 Set of 2, (6) 34 3/8 x 11 1/2 |
| STD2, PH10, PH12, QP8 | 120-2 | J21120-2 | Filter, Kit, Alum, Washable, STD2120-2/PH/QP8, 120 Set of 2, (8) 29 3/16 x 11 1/2 |
| STD2, PH10, PH12 | 120-3 | J21120-3 | Filter, Kit, Alum, Washable, STD2120-3/PH, 120 Set of 2, (6) 38 3/4 x 11 1/2 |
| QP8 | 144-2 | J21144-2 | Filter, Kit, Alum, Washable, QP8, 144 Set of 2, (8) 34 3/8 x 11 1/2 |
| STD2, PH10, PH12 | 144-3 | J21144 | Filter, Kit, Alum, Washable, STD2/PH, 144 Set of 2, (6) 46 3/8 x 11 1/2 |
| HV2/EP2 | 36-1 | J2236 | Filter, Kit, Alum, Washable, HV2/EP2, 36 Set of 2, (2) 34 1/4 x 15 1/8 |
| HV2/EP2 | 42-1 | J2242 | Filter, Kit, Alum, Washable, HV2/EP2, 42 Set of 2, (2) 40 1/4 x 15 1/8 |
| HV2/EP2 | 48-1 | J2248 | Filter, Kit, Alum, Washable, HV2/EP2, 48 Set of 2, (2) 46 1/4 x 15 1/8 |
| HV2/EP2 | 60-1 | J2260 | Filter, Kit, Alum, Washable, HV2/EP2, 60 Set of 2, (4) 29 1/8 x 15 1/8 |
| HV2/EP2 | 72-2 | J2272 | Filter, Kit, Alum, Washable, HV2/EP2, 72 Set of 2, (4) 34 1/4 x 15 1/8 |
| HV2/EP2 | 84-2 | J2284 | Filter, Kit, Alum, Washable, HV2/EP2, 84 Set of 2, (4) 40 1/4 x 15 1/8 |
| HV2/EP2 | 96-2 | J2296 | Filter, Kit, Alum, Washable, HV2/EP2, 96 Set of 2, (4) 46 1/4 x 15 1/8 |
| HV2/EP2 | 108-2 | J22108-2 | Filter, Kit, Alum, Washable, HV2108-2/EP2, 108 Set of 2, (8) 26 1/8 x 15 1/8 |
| HV2/EP2 | 108-3 | J22108-3 | Filter, Kit, Alum, Washable, HV2108-3/EP2, 108 Set of 2, (6) 34 1/4 x 15 1/8 |
| HV2/EP2 | 120-2 | J22120-2 | Filter, Kit, Alum, Washable, HV2/EP2120-2, 120 Set of 2, (8) 29 1/8 x 15 1/8 |
| HV2/EP2 | 120-3 | J22120-3 | Filter, Kit, Alum, Washable, HV2/EP2120-3, 120 Set of 2, (6) 38 1/4 x 15 1/8 |
| HV2/EP2 | 144-3 | J22144 | Filter, Kit, Alum, Washable, HV2/EP2, 144 Set of 2, (6) 46 1/4 x 15 1/8 |

Features:

- ❖ This product is designed to be compatible with Mars Air Systems models. See table for model selection chart
- ❖ 1/4" Pressed frame aluminum filters
- ❖ Rustproof, corrosion-resistant filter media
- ❖ Meets UL Class 2 filter requirements
- ❖ Bonded aluminum media provides strength and durability
- ❖ Offers longer service with optimum dirt and dust trapping performance
- ❖ Staggered multi-layered filter design to form thousands of highly effective dust and dirt holding baffles
- ❖ Factory installed with removable filter brackets. Additional replacement filters are shipped loose with every order
- ❖ Easy field installation – no screws or hardware required
- ❖ Easy to clean
- ❖ Filter nests inside the intake screen for compact and clean finish
- ❖ Filters designed to be installed on existing air curtains without any field modification (see electric heated product submittals for limitations with these units)
- ❖ Proudly Made in the USA

Options and Accessories:

- ❖ Filter brackets (required only for existing units receiving filters in the field)



NOTE: MARS AIR SYSTEMS, LLC reserves the right to change specifications and product design without notice. Such revisions do not entitle the buyer to corresponding changes, improvements, additions, or replacements for previously purchased equipment.